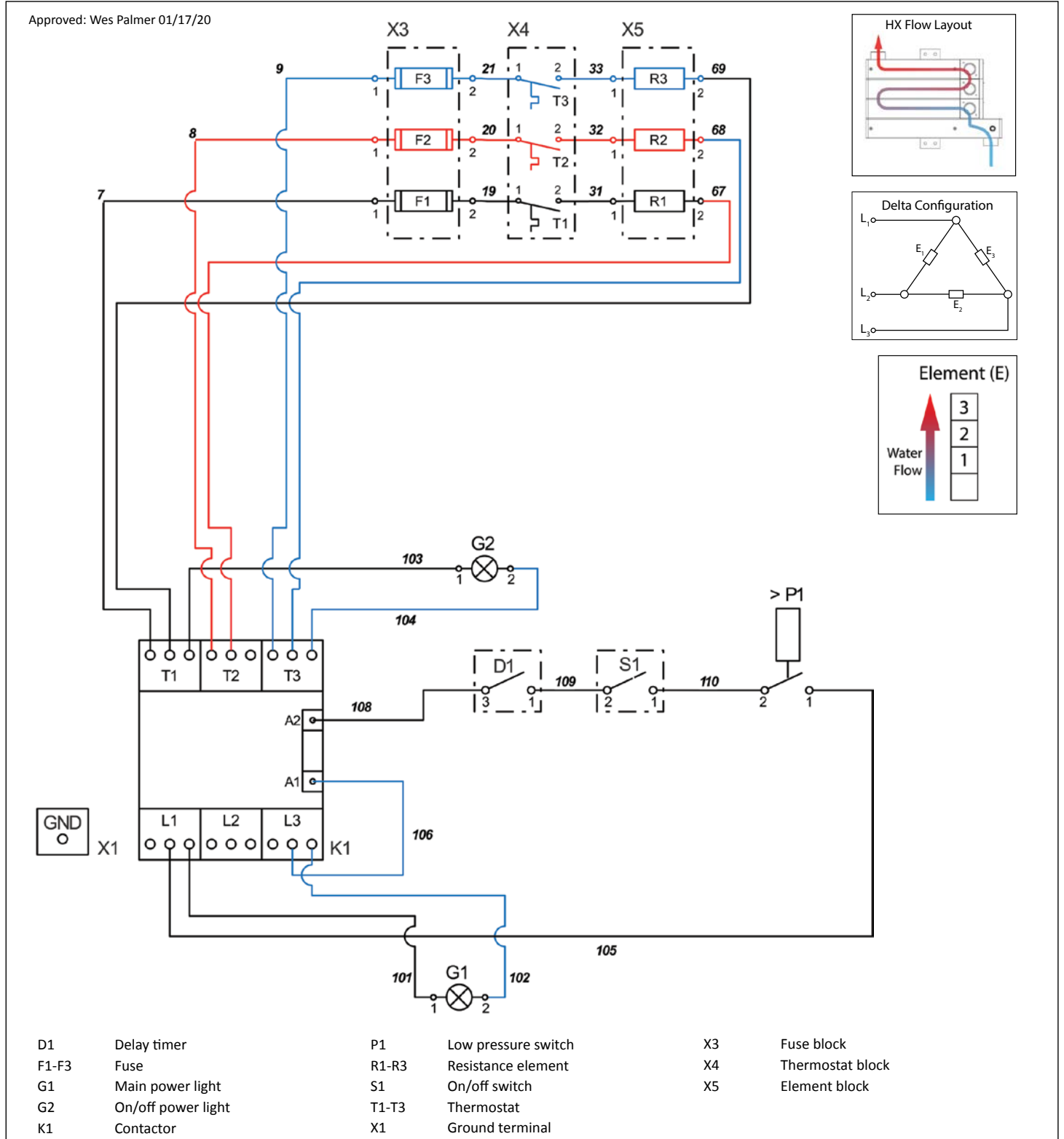


# INSTALLATION TECHNICAL DATA

## Wiring diagrams

### CF 12-18, 208 V & 240 V Delta wiring diagram

This diagram is valid for: CF 12 208/240 V, CF 15 208/240 V, CF 18 208/240 V

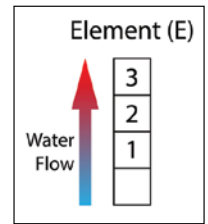
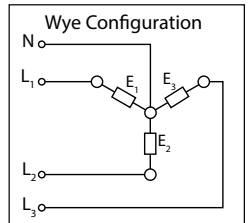
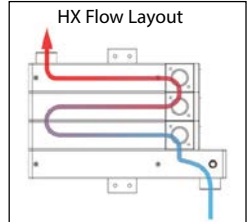
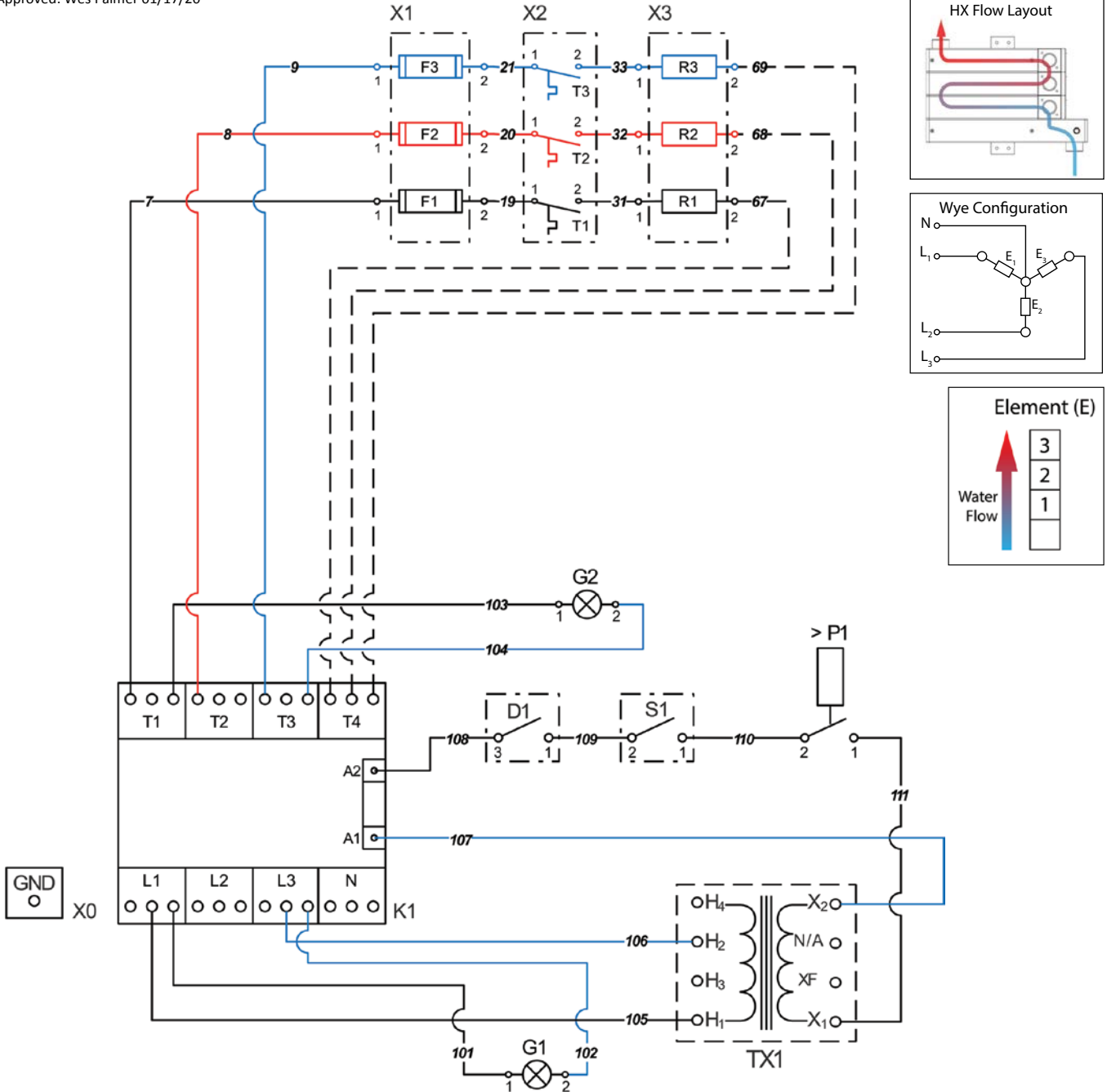


# INSTALLATION TECHNICAL DATA

## CF 12-18 400 V & 480 V Wye wiring diagram

This diagram is valid for: CF 12 400/480 V Wye, CF 15 400/480 V Wye, & CF 18 400/480 V Wye

Approved: Wes Palmer 01/17/20



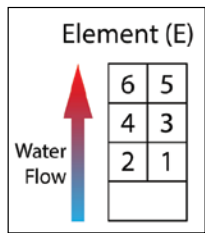
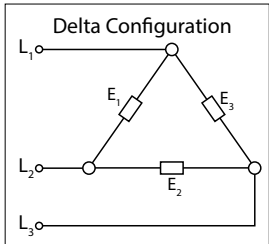
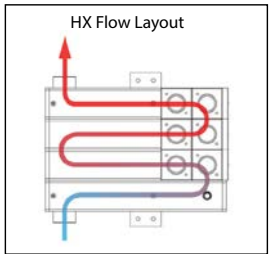
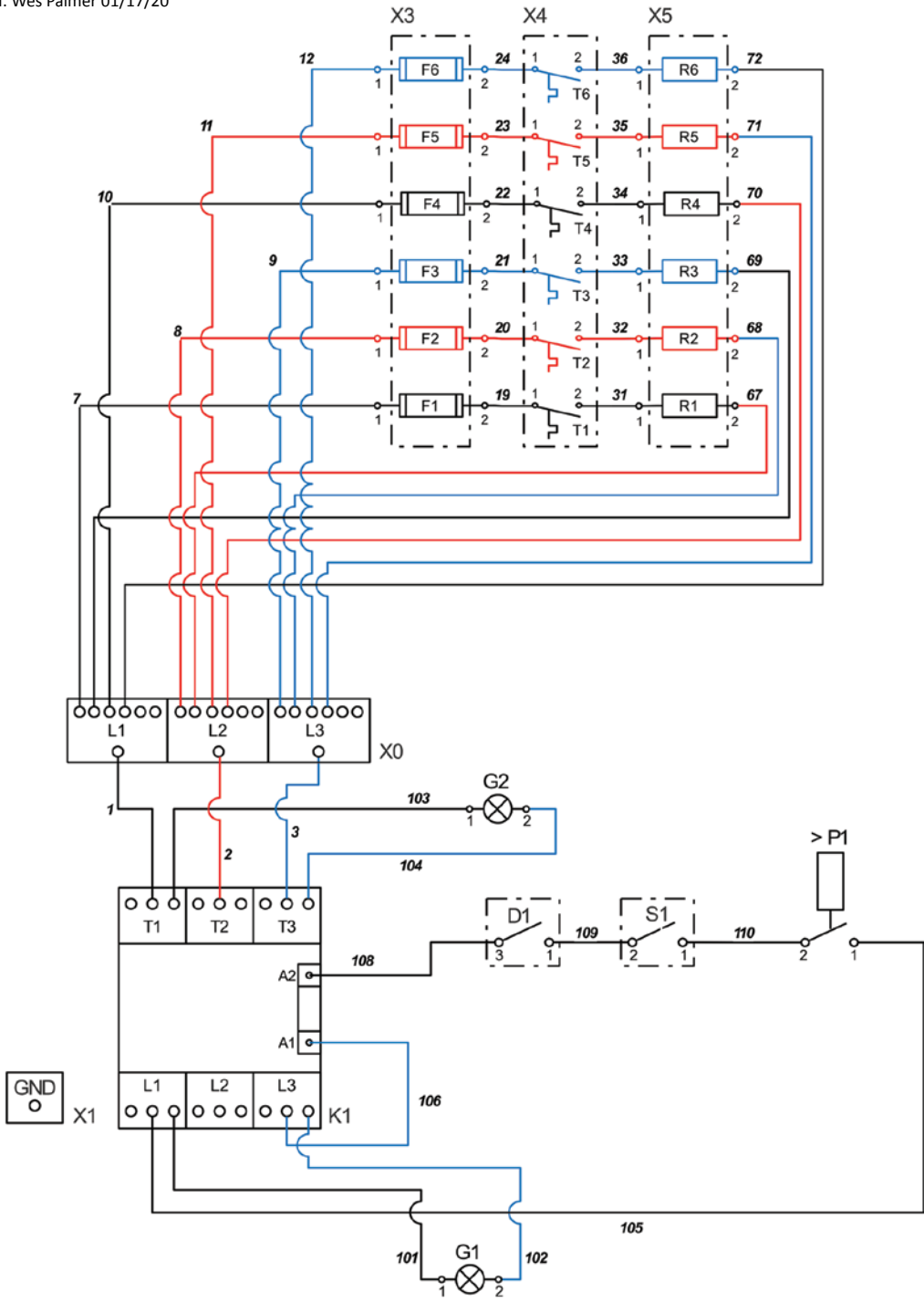
- |       |                    |       |   |    |                  |
|-------|--------------------|-------|---|----|------------------|
| D1    | Delay timer        | P1    | Low pressure switch   | X1 | Ground terminal  |
| F1-F3 | Fuse               | R1-R3 | Resistance element  | X3 | Fuse block       |
| G1    | Main power light   | S1    | On/off switch   | X4 | Thermostat block |
| G2    | On/off power light | T1-T3 | Thermostat  | X5 | Element block    |
| K1    | Contactor          | TX1   | Transformer (120V X <sub>2</sub> -X <sub>1</sub> Tap Voltage) |    |                  |

# INSTALLATION TECHNICAL DATA

## CF 24-36, 208 V & 240 V Delta wiring diagram

This diagram is valid for: CF 24 208/240 V, CF 27 208/240 V, CF 36 208/240 V

Approved: Wes Palmer 01/17/20



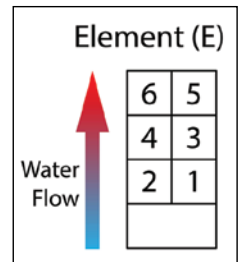
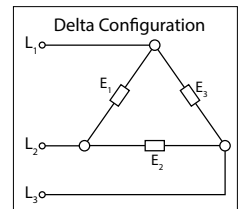
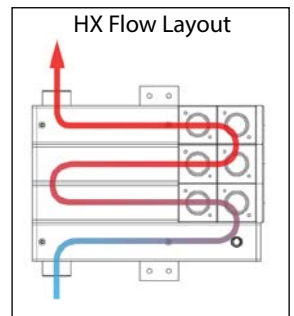
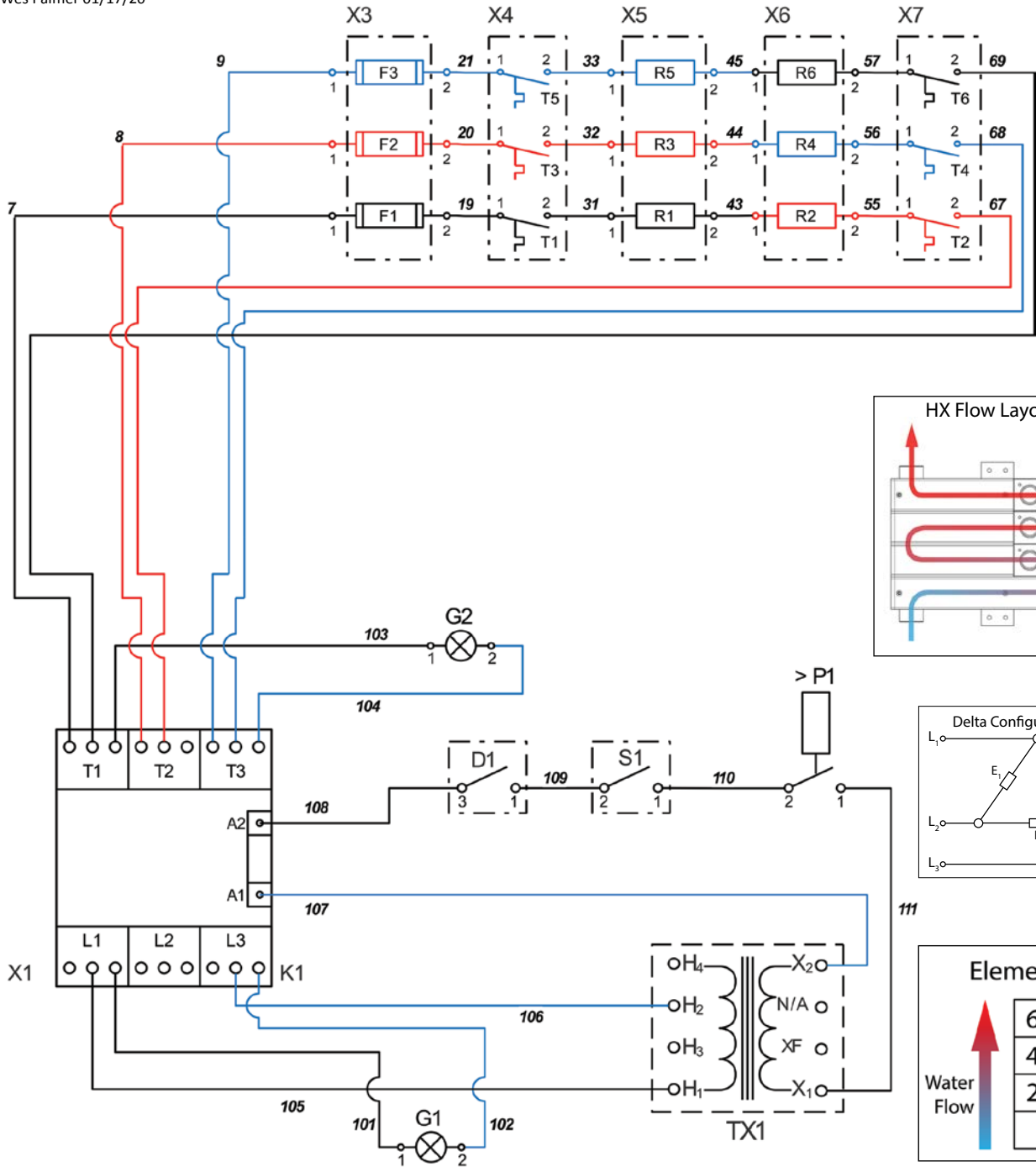
- |       |                    |       |                     |    |                  |
|-------|--------------------|-------|---------------------|----|------------------|
| D1    | Delay timer        | P1    | Low pressure switch | X1 | Ground terminal  |
| F1-F6 | Fuse               | R1-R6 | Resistance element  | X3 | Fuse block       |
| G1    | Main power light   | S1    | On/off switch       | X4 | Thermostat block |
| G2    | On/off power light | T1-T3 | Thermostat          | X5 | Element block    |
| K1    | Contactor          | X0    | Main terminal block |    |                  |

# INSTALLATION TECHNICAL DATA

## CF 24-36, 400 V & 480 V Delta wiring diagram

This diagram is valid for: CF 24 400/480 V, CF 27 400/480 V, & CF 36 400/480 V

Approved: Wes Palmer 01/17/20



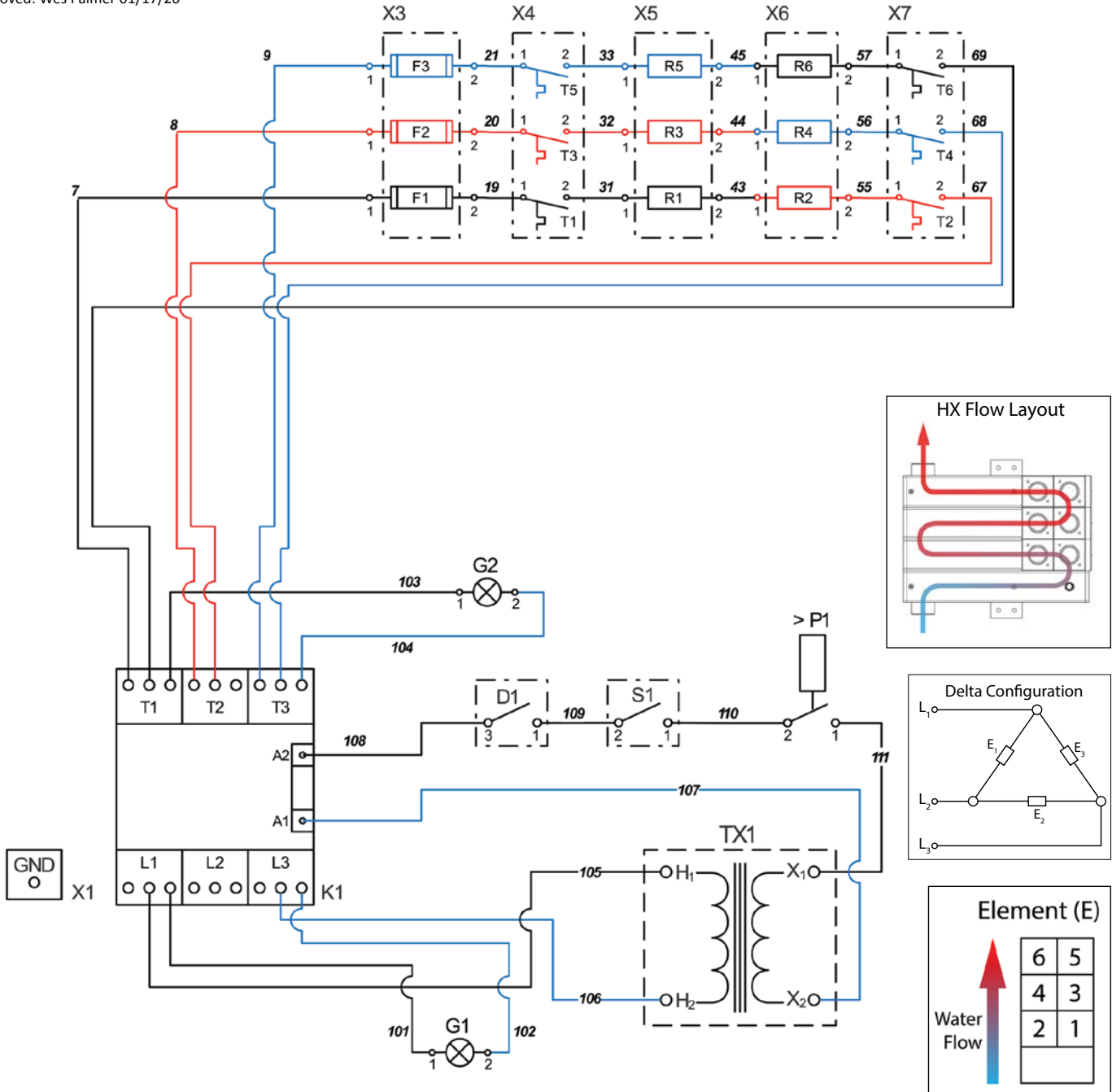
- |       |                     |       |   |    |                    |
|-------|---------------------|-------|---|----|--------------------|
| D1    | Delay timer         | R1-R6 | Resistance element  | X4 | Thermostat block 1 |
| F1-F3 | Fuse                | S1    | On/off switch   | X5 | Element block 1    |
| G1    | Main power light    | T1-T6 | Thermostat  | X6 | Element block 2    |
| G2    | On/off power light  | TX1   | Transformer (120V X <sub>2</sub> -X <sub>1</sub> Tap Voltage) | X7 | Thermostat block 2 |
| K1    | Contacter           | X1    | Ground terminal   |    |                    |
| P1    | Low pressure switch | X3    | Fuse block  |    |                    |

# INSTALLATION TECHNICAL DATA

## CF 24, CF 36 575 V Delta wiring diagram

This diagram is valid for: CF 24 575 V & CF 36 575 V

Approved: Wes Palmer 01/17/20



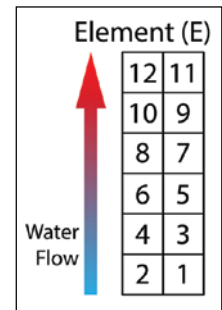
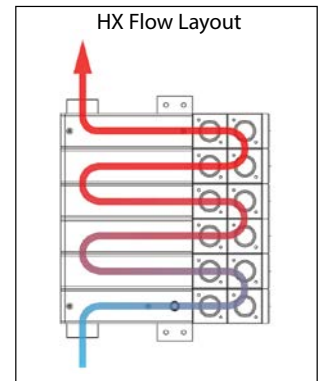
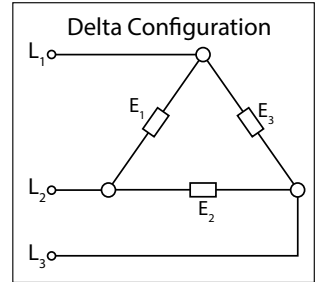
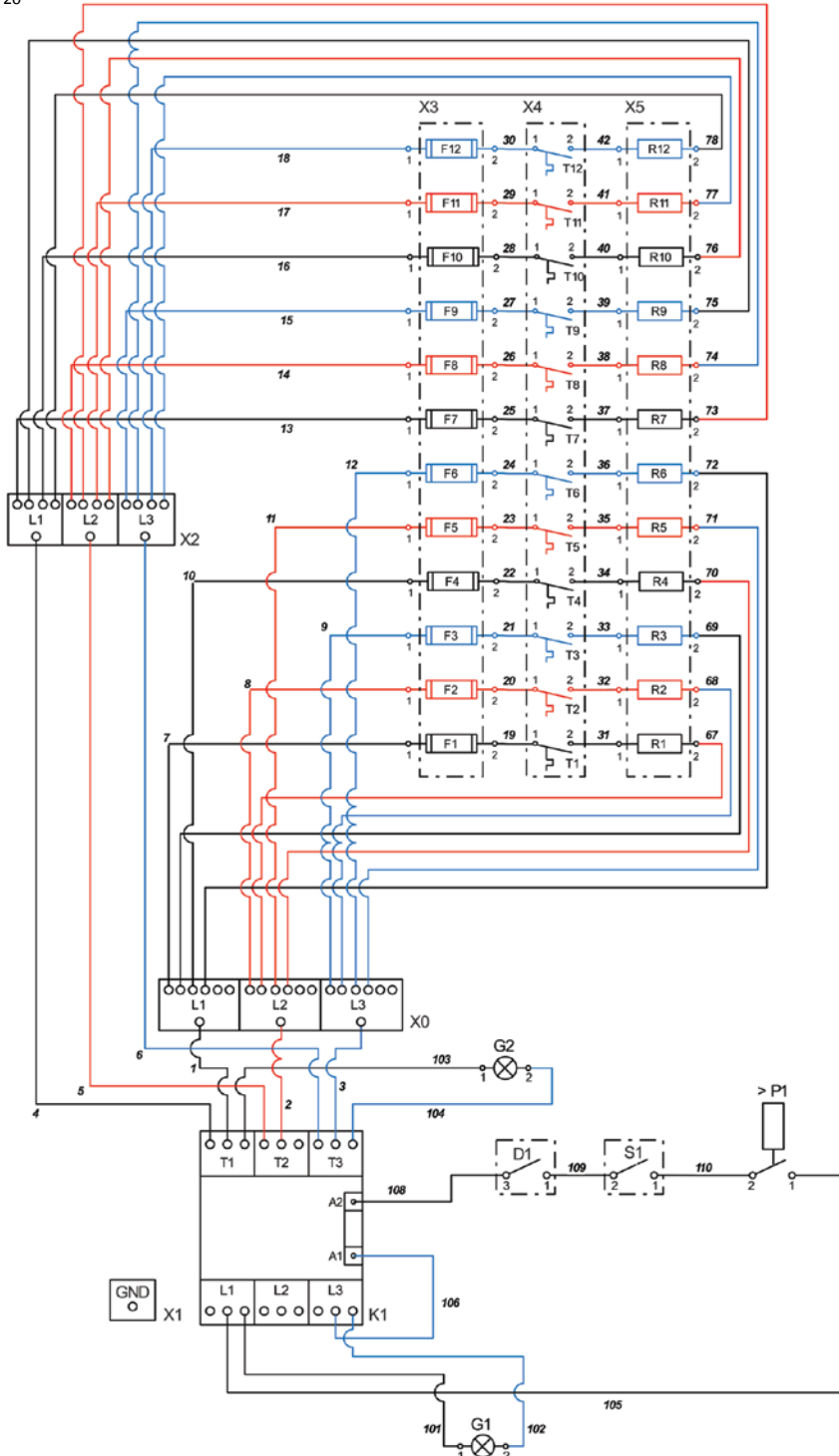
|       |                     |       |   |    |                    |
|-------|---------------------|-------|---|----|--------------------|
| D1    | Delay timer         | R1-R6 | Resistance element  | X4 | Thermostat block 1 |
| F1-F3 | Fuse                | S1    | On/off switch   | X5 | Element block 1    |
| G1    | Main power light    | T1-T6 | Thermostat  | X6 | Element block 2    |
| G2    | On/off power light  | TX1   | Transformer (120V X <sub>1</sub> -X <sub>2</sub> Tap Voltage) | X7 | Thermostat block 2 |
| K1    | Contactor           | X1    | Ground terminal   |    |                    |
| P1    | Low pressure switch | X3    | Fuse block  |    |                    |

# INSTALLATION TECHNICAL DATA

## CF 48-72, 208 V & 240 V Delta wiring diagram

This diagram is valid for: CF 48 208/240 V, CF 54 208/240 V, CF 60 208/240 V, & CF 72 208/240 V

Approved: Wes Palmer 01/17/20



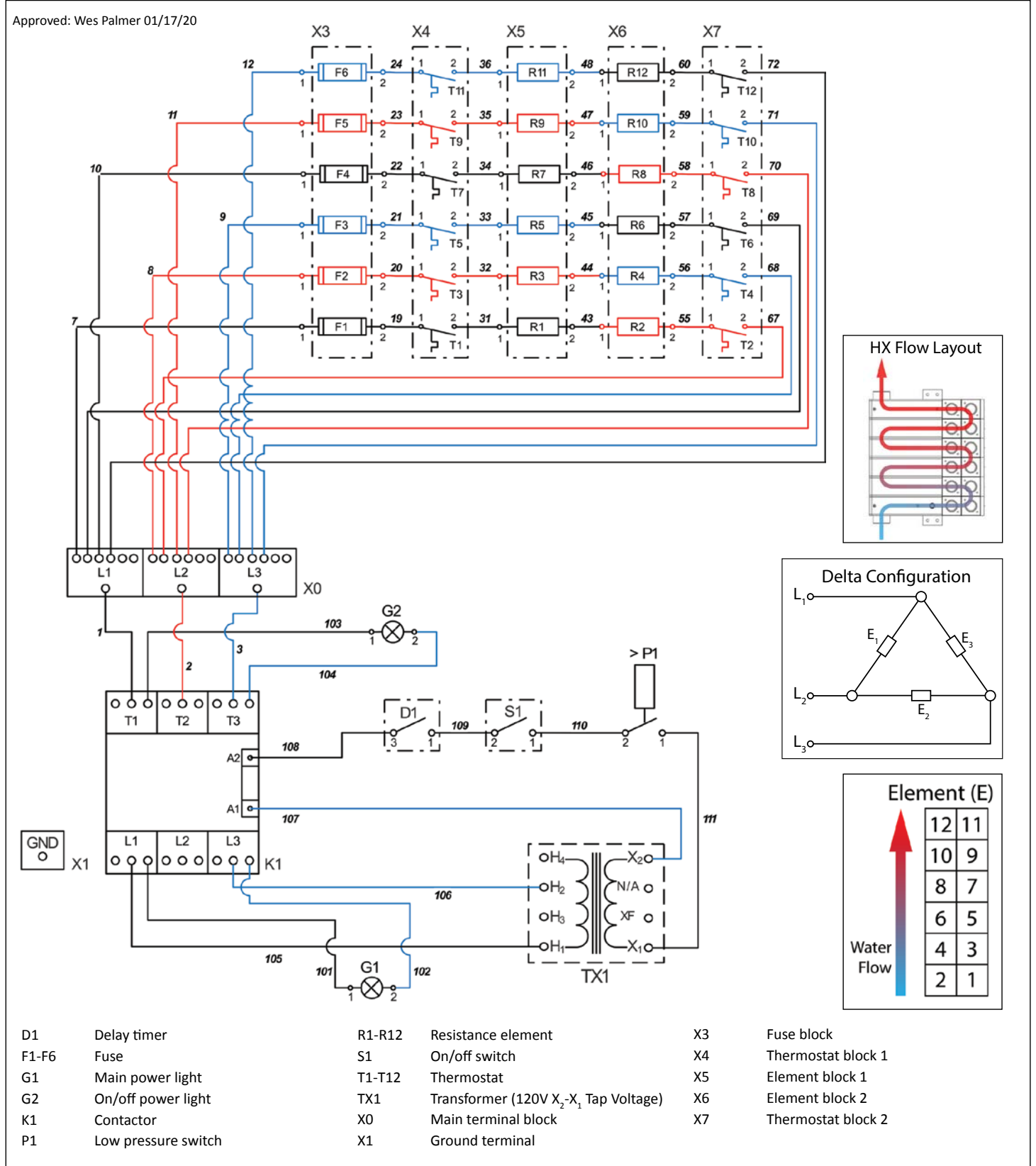
- |        |                    |        |                            |    |                            |
|--------|--------------------|--------|----------------------------|----|----------------------------|
| D1     | Delay timer        | P1     | Low pressure switch        | X1 | Ground terminal            |
| F1-F12 | Fuse               | R1-R12 | Resistance element         | X2 | Secondary terminal block 2 |
| G1     | Main power light   | S1     | On/off switch              | X3 | Fuse block                 |
| G2     | On/off power light | T1-T12 | Thermostat                 | X4 | Thermostat block           |
| K1     | Contactor          | X0     | Secondary terminal block 1 | X5 | Element block              |

ENGLISH

# INSTALLATION TECHNICAL DATA

## CF 48-72, 400 V & 480 V Delta wiring diagram

This diagram is valid for: CF 48 400/480 V, CF 54 400/480 V, CF 60 400/480 V, & CF 72 400/480 V

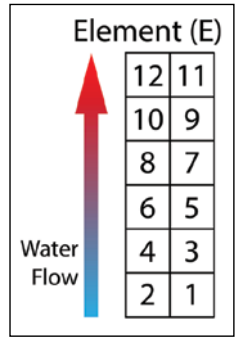
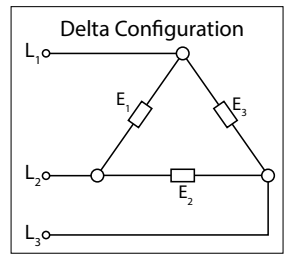
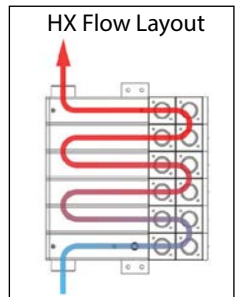
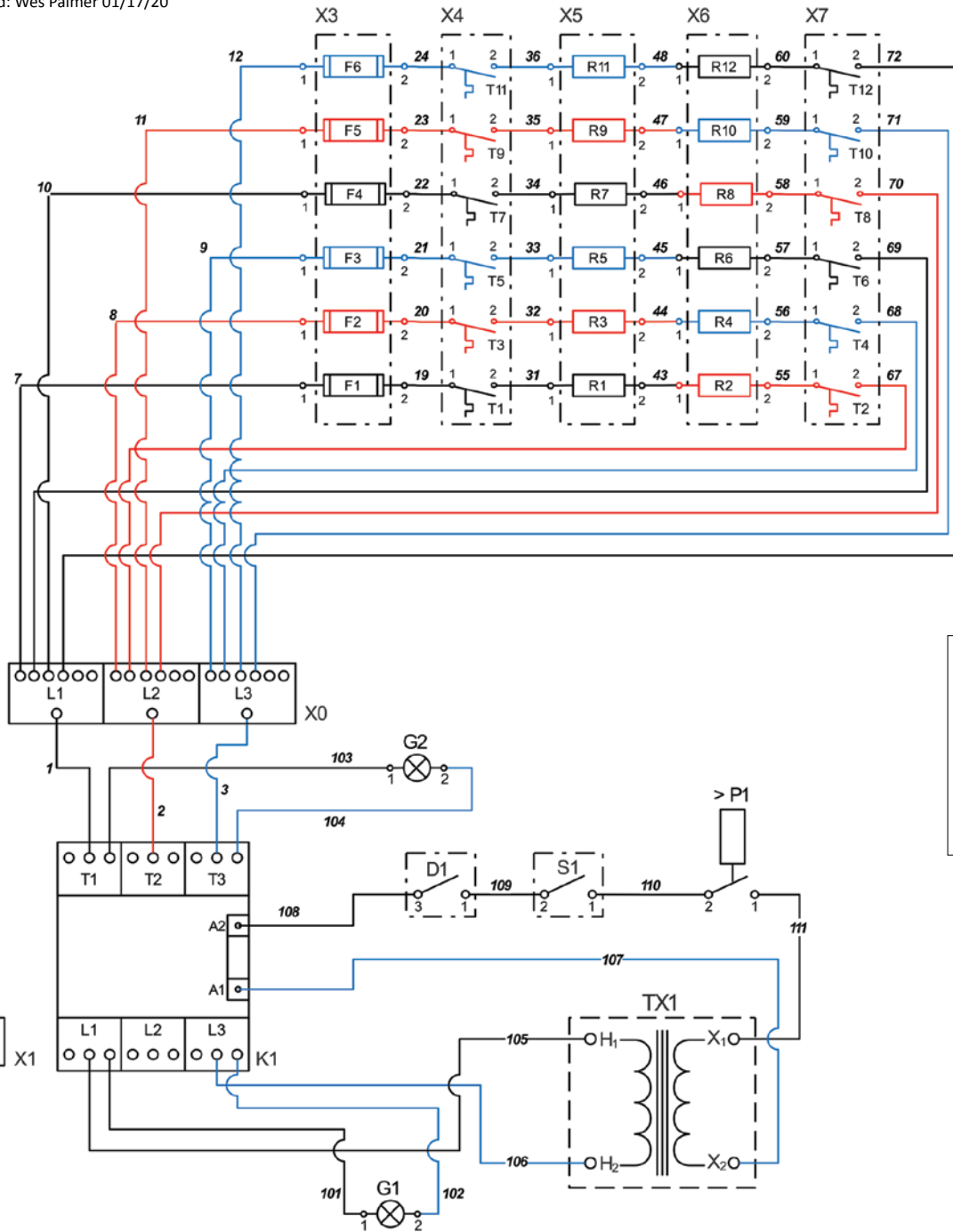


# INSTALLATION TECHNICAL DATA

## CF 48, CF 72 575 V Delta wiring diagram

This diagram is valid for: CF 48 575 V & CF 72 575 V

Approved: Wes Palmer 01/17/20



- |       |                     |        |   |    |                    |
|-------|---------------------|--------|---|----|--------------------|
| D1    | Delay timer         | R1-R12 | Resistance element  | X3 | Fuse block         |
| F1-F6 | Fuse                | S1     | On/off switch   | X4 | Thermostat block 1 |
| G1    | Main power light    | T1-T12 | Thermostat  | X5 | Element block 1    |
| G2    | On/off power light  | TX1    | Transformer (120V X <sub>1</sub> -X <sub>2</sub> Tap Voltage) | X6 | Element block 2    |
| K1    | Contactor           | X0     | Main terminal block   | X7 | Thermostat block 2 |
| P1    | Low pressure switch | X1     | Ground terminal   |    |                    |

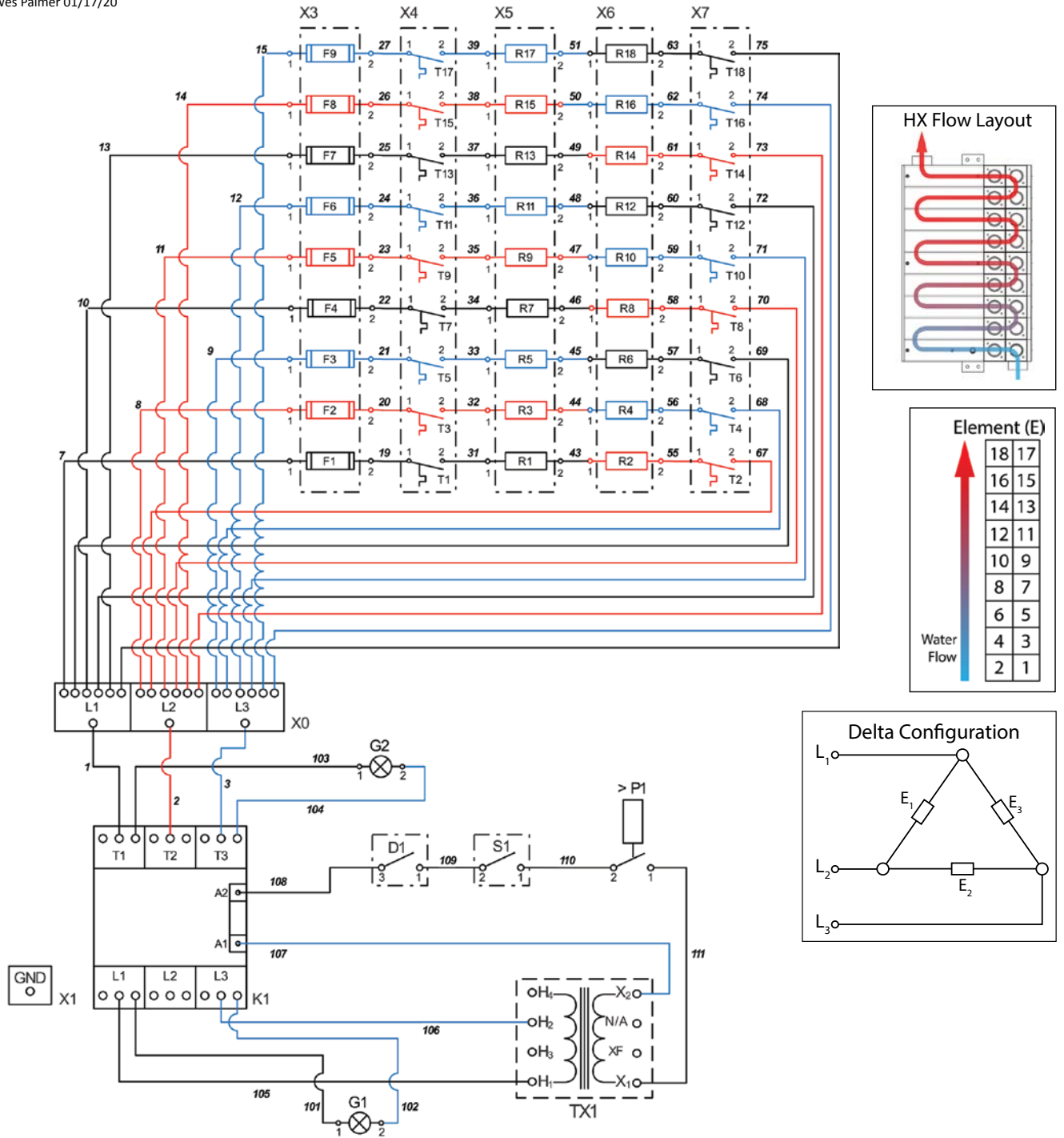


# INSTALLATION TECHNICAL DATA

## CF 81-108, 400 V & 480 V Delta wiring diagram

This diagram is valid for: CF 81 400/480 V, CF 90 400/480 V, & CF 108 400/480 V

Approved: Wes Palmer 01/17/20



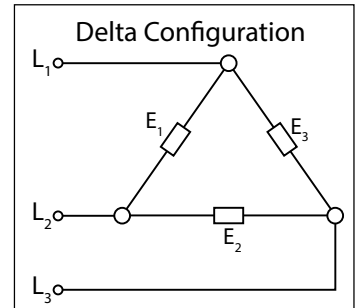
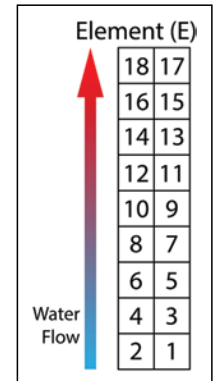
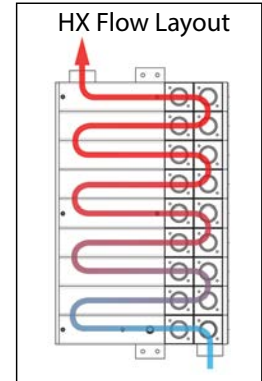
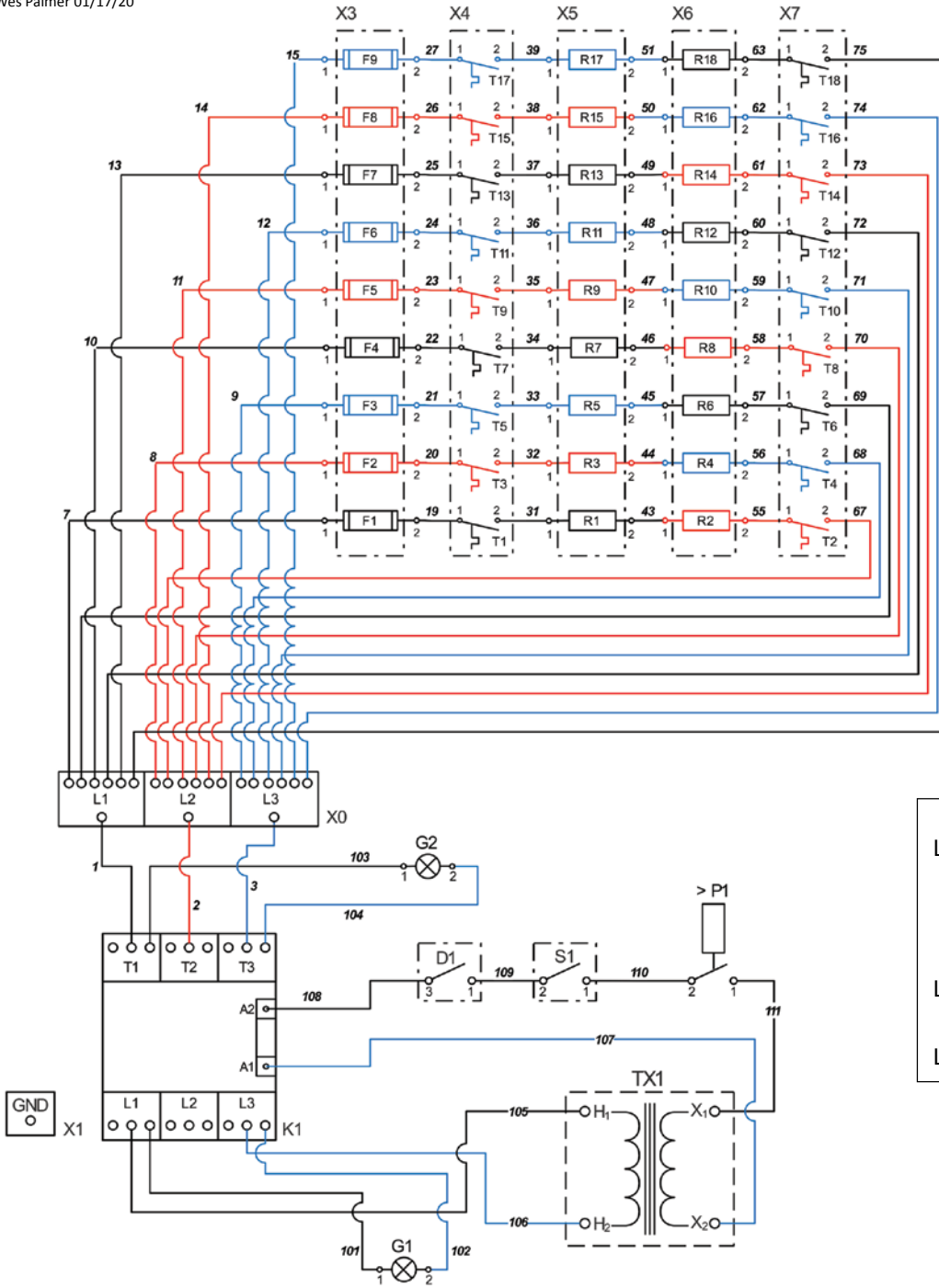
|       |                     |        |  |    |                    |
|-------|---------------------|--------|--|----|--------------------|
| D1    | Delay timer         | R1-R18 | Resistance element   | X3 | Fuse block         |
| F1-F9 | Fuse                | S1     | On/off switch  | X4 | Thermostat block 1 |
| G1    | Main power light    | T1-T18 | Thermostat   | X5 | Element block 1    |
| G2    | On/off power light  | TX1    | Transformer (120 V X <sub>2</sub> -X <sub>1</sub> Tap Voltage) | X6 | Element block 2    |
| K1    | Contactor           | X0     | Main terminal block  | X7 | Thermostat block 2 |
| P1    | Low pressure switch | X1     | Ground terminal  |    |                    |

# INSTALLATION TECHNICAL DATA

## CF 108 575 V Delta wiring diagram

This diagram is valid for: CF 108 575 V

Approved: Wes Palmer 01/17/20



- |       |                     |        |   |    |                    |
|-------|---------------------|--------|---|----|--------------------|
| D1    | Delay timer         | R1-R18 | Resistance element  | X3 | Fuse block         |
| F1-F9 | Fuse                | S1     | On/off switch   | X4 | Thermostat block 1 |
| G1    | Main power light    | T1-T18 | Thermostat  | X5 | Element block 1    |
| G2    | On/off power light  | TX1    | Transformer (120V X <sub>1</sub> -X <sub>2</sub> Tap Voltage) | X6 | Element block 2    |
| K1    | Contactor           | X0     | Main terminal block   | X7 | Thermostat block 2 |
| P1    | Low pressure switch | X1     | Ground terminal   |    |                    |

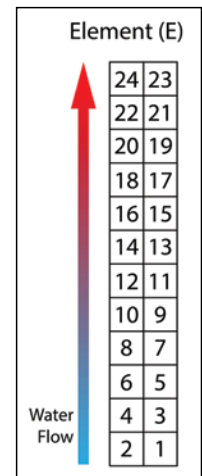
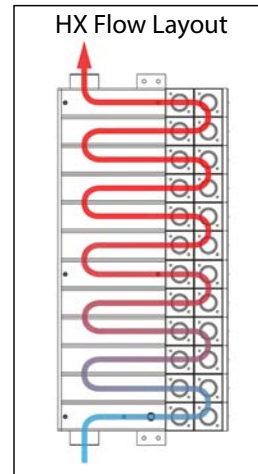
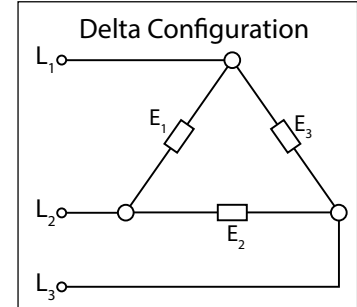
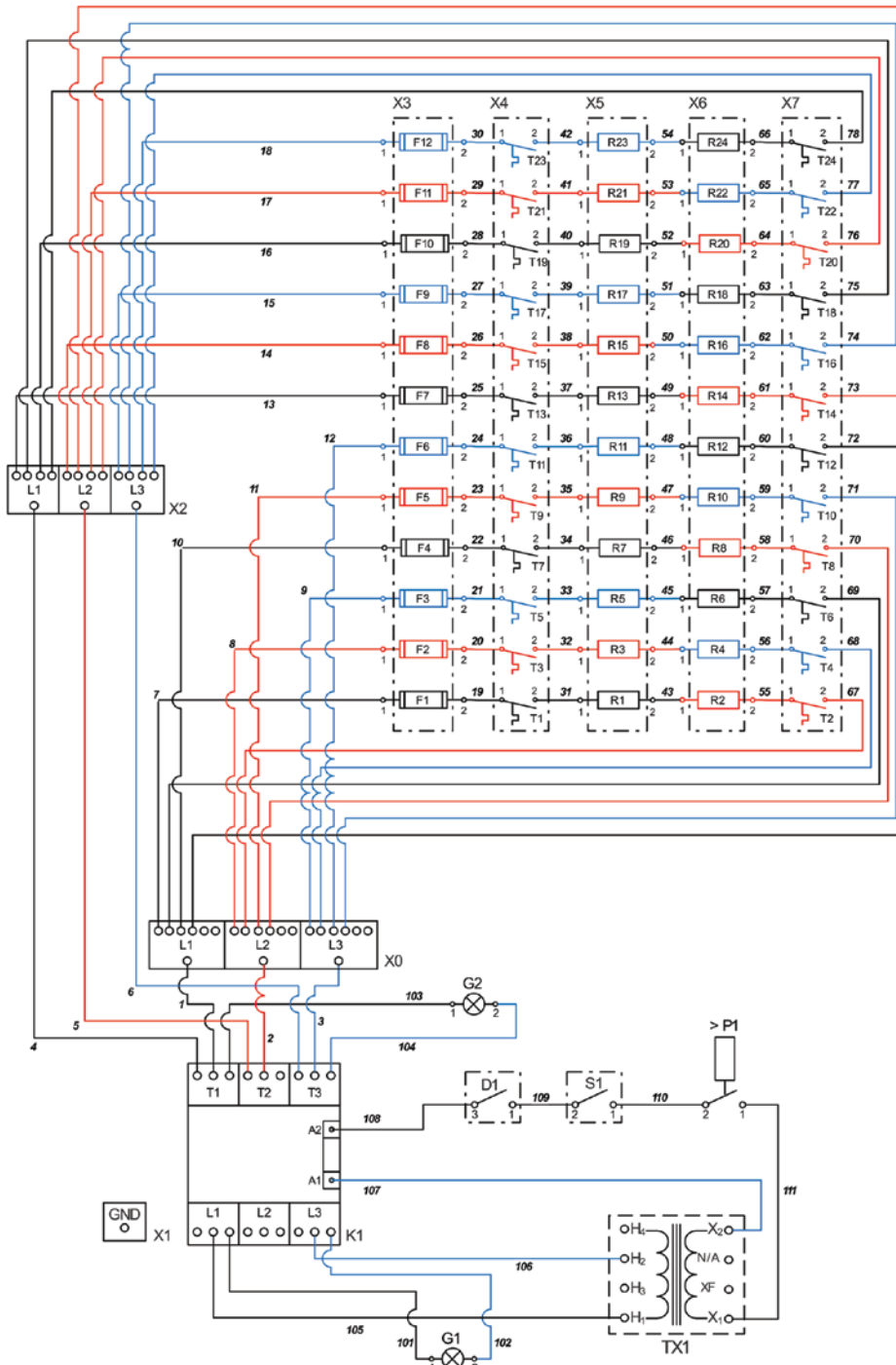
ENGLISH

# INSTALLATION TECHNICAL DATA

## CF 120-144, 400 V & 480 V Delta wiring diagram

This diagram is valid for: CF 120 400/480 V & CF 144 400/480 V

Approved: Wes Palmer 01/17/20



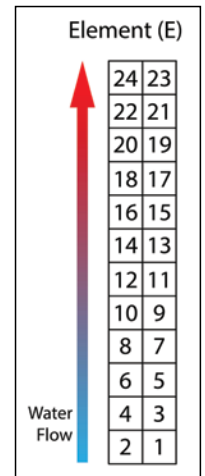
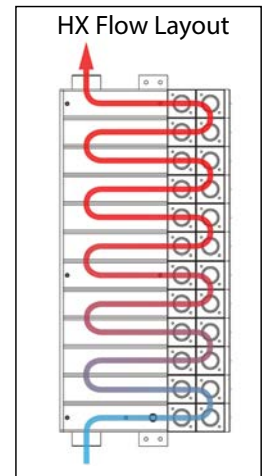
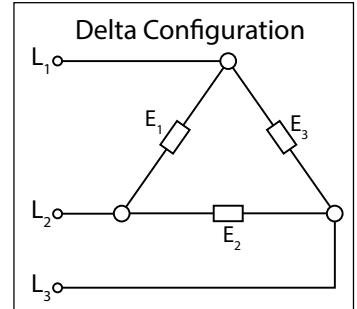
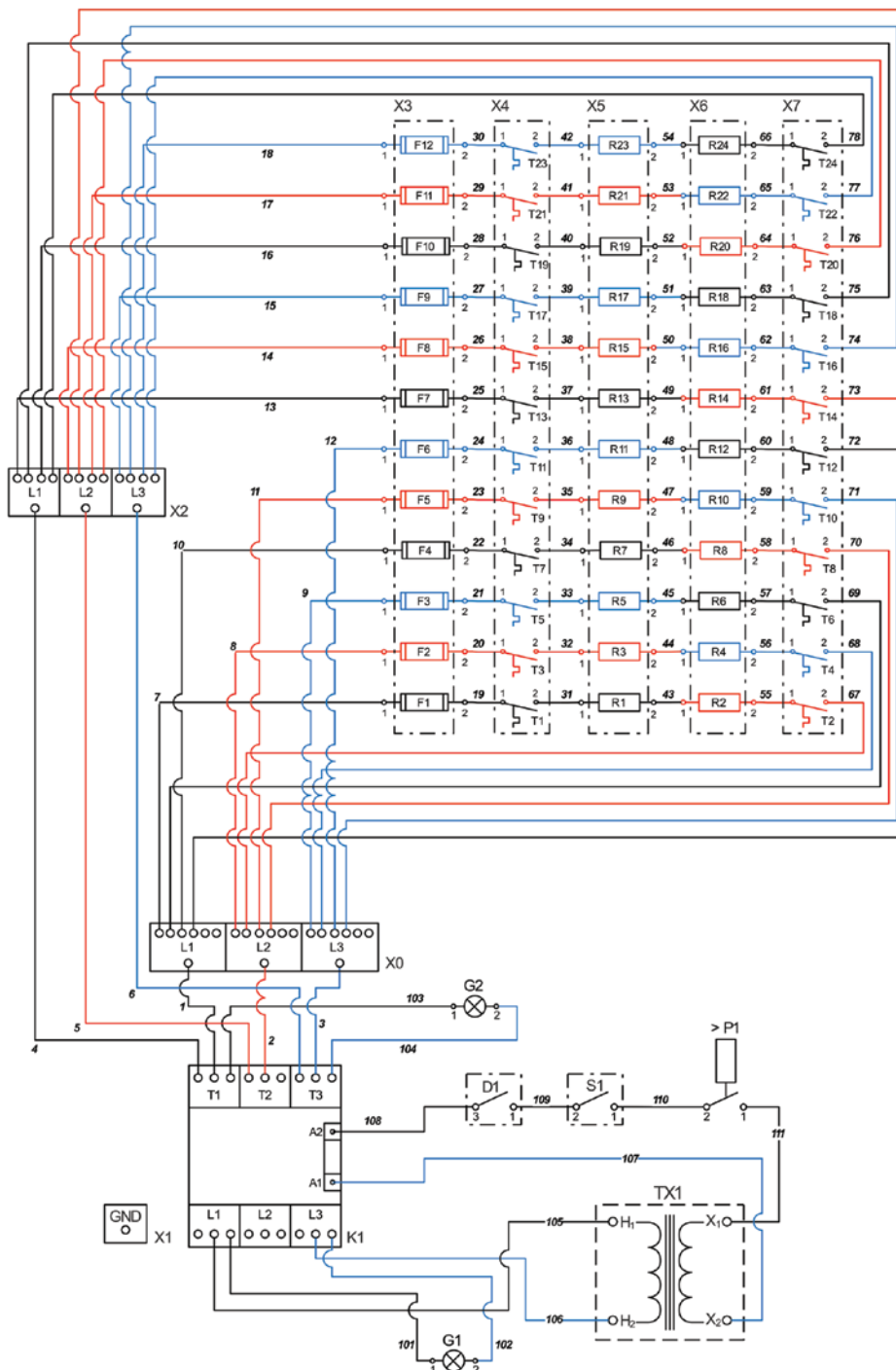
- |        |                     |        |  |    |                            |
|--------|---------------------|--------|--|----|----------------------------|
| D1     | Delay timer         | R1-R24 | Resistance element   | X2 | Secondary terminal block 2 |
| F1-F12 | Fuse                | S1     | On/off switch  | X3 | Fuse block                 |
| G1     | Main power light    | T1-T24 | Thermostat   | X4 | Thermostat block 1         |
| G2     | On/off power light  | TX1    | Transformer (120 V X <sub>2</sub> -X <sub>1</sub> Tap Voltage) | X5 | Element block 1            |
| K1     | Contactor           | X0     | Secondary terminal block 1                                     | X6 | Element block 2            |
| P1     | Low pressure switch | X1     | Ground terminal  | X7 | Thermostat block 2         |

# INSTALLATION TECHNICAL DATA

## CF 144 575 V Delta wiring diagram

This diagram is valid for: CF 144 575 V

Approved: Wes Palmer 01/17/20



- |        |                     |        |   |    |                            |
|--------|---------------------|--------|---|----|----------------------------|
| D1     | Delay timer         | R1-R24 | Resistance element  | X2 | Secondary terminal block 2 |
| F1-F12 | Fuse                | S1     | On/off switch   | X3 | Fuse block                 |
| G1     | Main power light    | T1-T24 | Thermostat  | X4 | Thermostat block 1         |
| G2     | On/off power light  | TX1    | Transformer (120V X <sub>1</sub> -X <sub>2</sub> Tap Voltage) | X5 | Element block 1            |
| K1     | Contactor           | X0     | Secondary terminal block 1                                    | X6 | Element block 2            |
| P1     | Low pressure switch | X1     | Ground terminal   | X7 | Thermostat block 2         |