

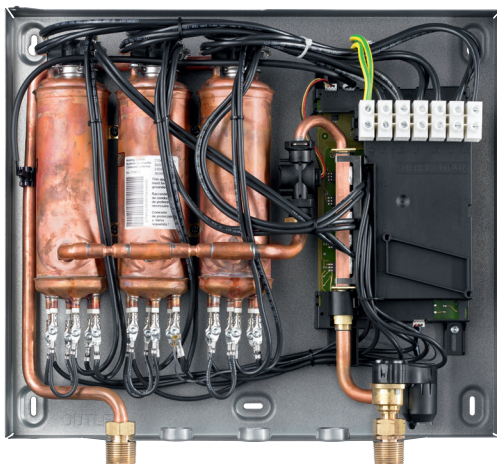
TECHNICAL SERVICE BULLETIN

Wiring Tempra® Trend and Tempra® Plus in a 208 V, 3-Phase Environment

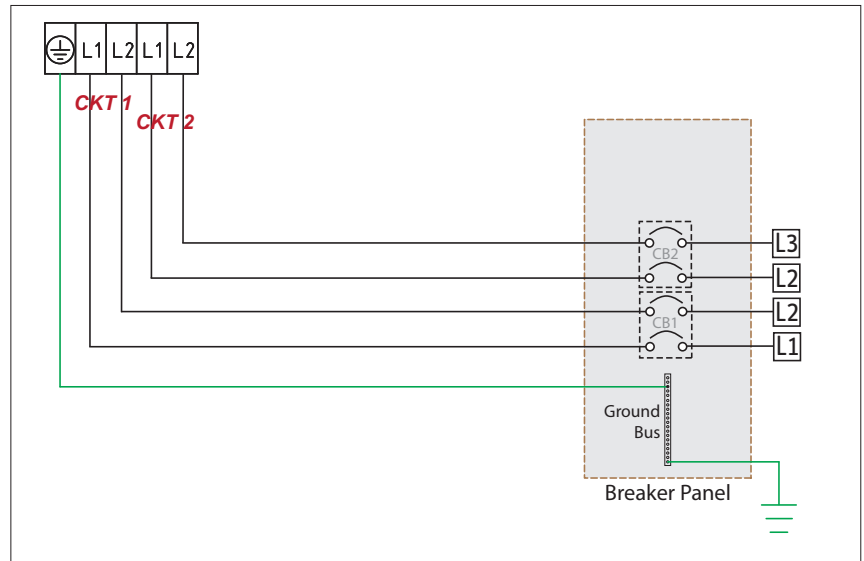
This procedure explains how to wire Tempra® models for 208 V 3-phase. Tempra® 12 Trend/12 Plus, 15 Trend/15 Plus, 20 Trend/20 Plus, 24 Trend/24 Plus will be unbalanced 3-phase. Tempra® 29 Trend/29 Plus & 36 Trend/36 Plus will be balanced 3-phase.

Stiebel Eltron Tempra® units are designed to use single phase power but all models can be wired for 3-phase 208 V power by following these directions:

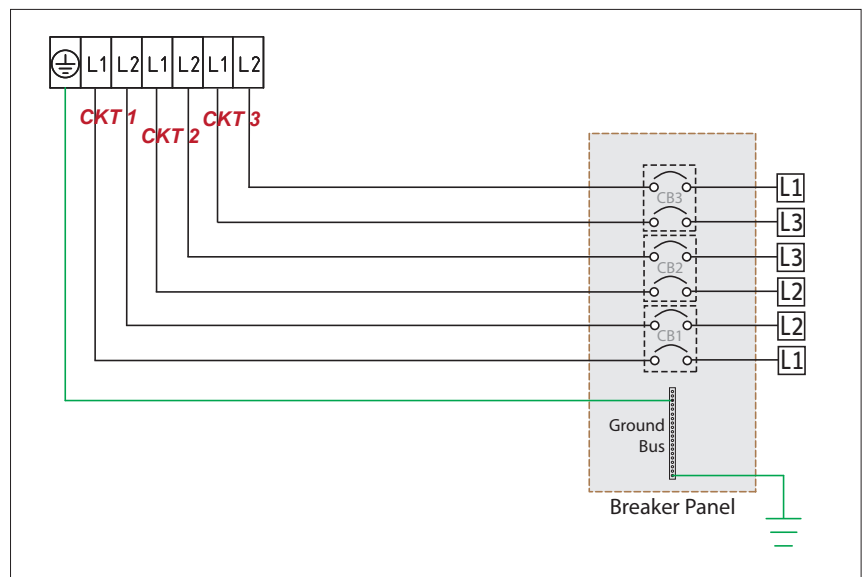
- › Install a double pole breaker for each separate circuit connected to the Tempra® wiring block (see the Tempra® installation manual).
- › Each circuit should be connected to the 3-phase power source as shown in these diagrams. The Tempra® installation manual has information on the proper size and number of circuit breakers for each model.



Tempra® 29 & 36 Plus, open



Wiring diagram for 208 V unbalanced 3-phase for Tempra® 15 Trend/15 Plus, 20 Trend/20 Plus, 24 Trend/24 Plus. For Tempra® 12 Trend/12 Plus only CKT 1 would be used.



Wiring diagram for 208 V balanced 3-phase for Tempra® 29 Trend /29 Plus, 36 Trend/36 Plus