

DHC-E Classic Electric Tankless Water Heater

Engineer/Architect: _____ **Date:** _____

Job Name/Customer: _____ **Phone:** _____

Location: _____ **Date Required:** _____

Contractor: _____ **Phone:** _____

Water Heater Specifications	Item No.	Quantity	kW	Voltage	Amperage
Model # DHC-E _____	_____	_____	_____	_____	_____

Applications

Commercial › Industrial › Institutional

- › Office Buildings
- › Stores
- › Malls
- › Warehouses
- › Restaurants
- › Gas Stations
- › Schools
- › Hotels / Motels
- › Commercial Condominiums
- › Manufacturing Facilities

Residential

- › Bathroom Sinks
- › Kitchen Sinks
- › Laundry Areas
- › Cabins / Cottages
- › Low Flow Showers

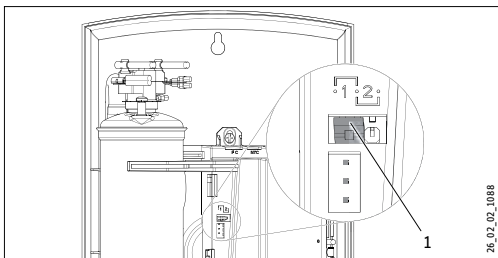
Specifications

Model	Phase	Voltage	kW	Amps	Circuit Breaker	Minimum Wire Size (copper) ¹	Temperature Rise °F (gpm = kW x 6.83 / Δt)				
							0.50 gpm	0.75 gpm	1.0 gpm	1.5 gpm	2.0 gpm
DHC-E 8/10 Classic	single	240 V	7.2/9.6	30/40	30/40	10/2 AWG / 8/2 AWG	92/92	65/87	49/65	33/44	24/32
	single	208 V	5.4/7.2	26/35	30/35	10/2 AWG / 8/2 AWG	74/92	49/65	37/49	25/33	18/24
DHC-E 12 Classic	single	240 V	12	50	50	8/2 AWG	92	92	82	54	41
	single	208 V	9	44	50	8/2 AWG	92	82	61	41	31

¹ Copper conductors with a temperature rating of 75°C or greater must be used.

The DHC-E 8/10 is adjustable for 2 stages of power output. Factory-delivered setting is 7.2 kW @ 240 V (5.4 kW @ 208 V).

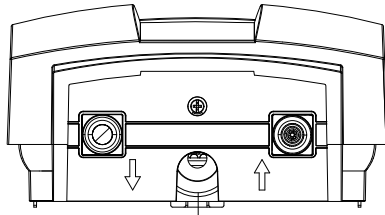
If higher output is needed, set the coding plug (1) to stage 2 for power output of 9.6 kW @ 240 V (7.2 kW @ 208 V).



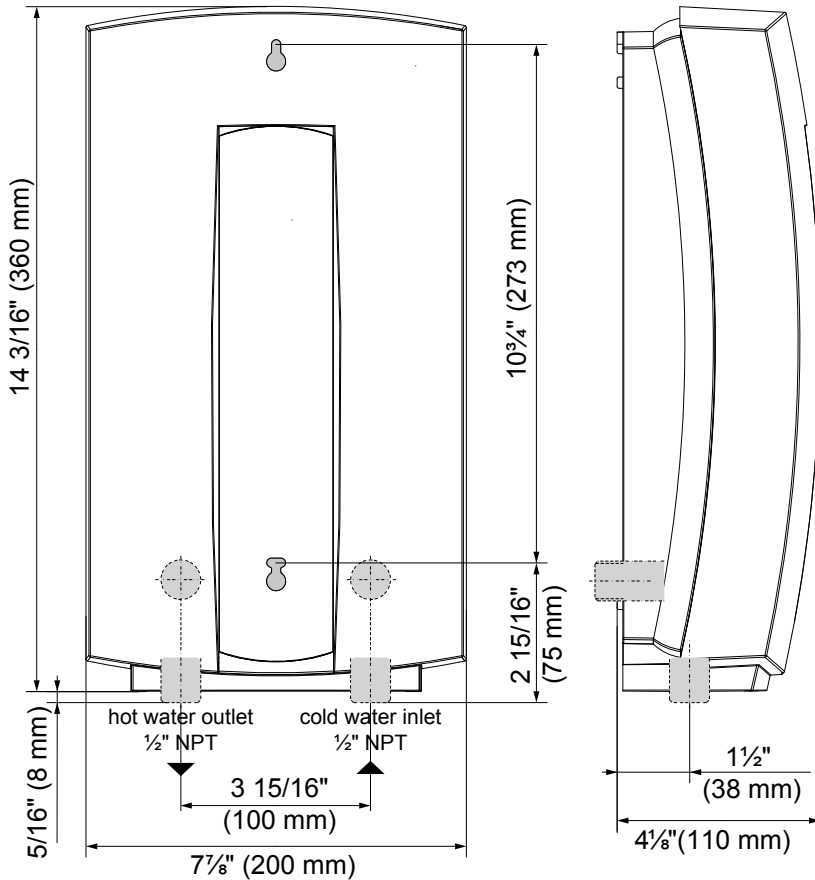
1 coding plug

DHC-E model	DHC-E 8/10 Classic	DHC-E 12 Classic
Part number	203671	203672
Weight	5.9 lbs (2.7 kg)	
Min. flow to activate	0.264 gpm (1.0 l/min)	
Operating pressure	Min. 30 psi, Max. 150 psi	
Dimensions	Height 14 3/16" (360 mm) x Width 7 1/8" (200 mm) x Depth 4 1/8" (110 mm)	
Cover	White ABS	

Dimensions



Electrical cable entry



Intertek

Certified to ANSI/UL Std. 499

Conforms to CAN/CSA Std. C22.2 No. 64

ISO 9001
CERTIFIED



Tested and certified by WQA against NSF/ANSI/CAN 372 for lead free compliance.



Warranty

Residential & commercial warranty: Stiebel Eltron, Inc. warrants to the original owner that the DHC tankless electric water heater will be free from defects in workmanship and materials for a period of three (3) years from the date of purchase, and free from leak age for a period of seven (7) years from the date of purchase. Should the part(s) prove to be defective under normal use during this period, Stiebel Eltron, Inc. will be responsible for replacement of the defective part(s) only. Stiebel Eltron, Inc. is not responsible for labor charges to remove and/or replace the defective part(s), or any incidental or consequential expenses. Should the owner wish to return the tankless electric water heater for repair, the owner must first secure written authorization from Stiebel Eltron, Inc. The owner shall be required to show proof of purchase date, and to pay all transportation costs to return the defective part(s) or tankless electric water heater for repair or replacement. Warranty is void if water heater has been installed or used improperly or if design has been altered in any way