

DHC Series Tankless Electric Water Heaters

› Compact point-of-use model for sinks

Features

- › Unlimited supply of hot water
- › High limit switch with manual reset
- › Easy installation 1/2" NPT. connections
- › Engineered in Germany to be the best
- › Exclusive design prevents dry firing
- › No T & P relief valve needed (Check local code)
- › 7 year leakage/3 year parts warranty
- › Copper sheathed heating element housed in copper cylinder
- › On-demand, continuous hot water
- › No standby heat loss with tankless design
- › 99% efficiency
- › Flow switch activated for virtually silent operation
- › Mounts on wall at point-of-use
- › Cold water only line needed to be run to lavatory
- › Compact European design allow mounting in cabinet
- › Compatible with sensor actuated or metered faucets
- › Tankless design prevents Legionella bacteria growth



Models (Cold water supply only)

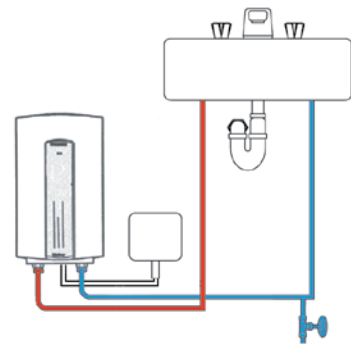
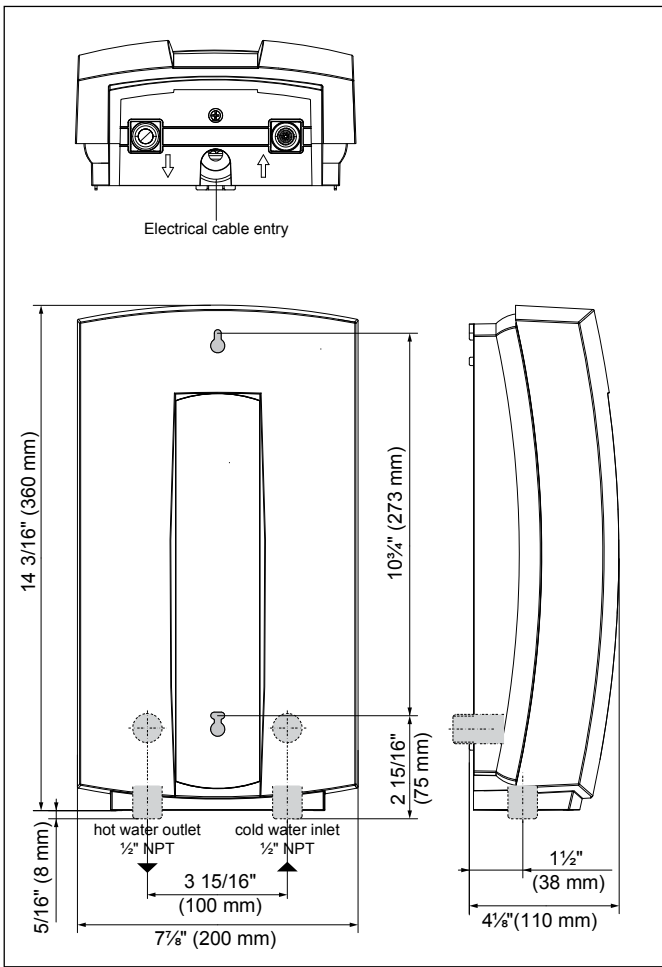
Model	Phase	Voltage	kW	Amps	Circuit Breaker	Minimum Wire Size (copper)	Temperature Rise °F (gpm = kW x 6.83 / Δt)				
							0.50 gpm	0.75 gpm	1.00 gpm	1.50 gpm	2.0 gpm
DHC 3-1*	single	120 V	3.0	25	25 ¹	10/2 AWG	41	-	-	-	-
DHC 3-2*	single	240 V	3.3	14	15	14/2 AWG	45	-	-	-	-
	single	208 V	2.5	12	15	14/2 AWG	34	-	-	-	-
DHC 4-2*	single	240 V	3.8	16	20	12/2 AWG	52	-	-	-	-
	single	208 V	2.9	14	15	14/2 AWG	40	-	-	-	-
DHC 4-3	single	277 V	4.5	17	20	12/2 AWG	61	41	31	20	15
DHC 5-2	single	240 V	4.8	20	20	12/2 AWG	65	44	33	22	16
	single	208 V	3.6	18	20	12/2 AWG	49	33	25	16	12
DHC 6-2	single	240 V	6.0	25	25 ¹	10/2 AWG	82	54	41	28	20
	single	208 V	4.5	22	25 ¹	10/2 AWG	61	41	31	20	15
DHC 8-2	single	240 V	7.2	30	30	10/2 AWG	-	66	49	33	25
	single	208 V	5.4	26	30	10/2 AWG	-	49	37	25	18
DHC 9-3	single	277 V	9.0	32.5	35 ²	8/2 AWG	-	-	61	41	31
DHC 10-2	single	240 V	9.6	40	40	8/2 AWG	-	-	65	44	33
	single	208 V	7.2	35	35 ²	8/2 AWG	-	-	49	33	25

* DHC 3-1, 3-2, 4-2 models ship with a 0.5 gpm pressure compensating flow reducer/aerator that should be installed.

¹ 25 A breaker may be sized up to 30 A. ² 35 A breaker may be sized up to 40 A.

Model	DHC 3-1	DHC 3-2	DHC 4-2	DHC 4-3	DHC 5-2	DHC 6-2	DHC 8-2	DHC 9-3	DHC 10-2
Part number	074050	074052	074053	074051	074054	074424	074055	232204	074056
Weight (lbs/kg)	4.6 / 2.1	5.3 / 2.4	5.3 / 2.4	4.6 / 2.1	4.6 / 2.1	4.6 / 2.1	5.3 / 2.4	5.3 / 2.4	5.3 / 2.4
Min. flow to activate (gpm / l/min)	0.32 / 1.2	0.32 / 1.2	0.42 / 1.6	0.42 / 1.6	0.42 / 1.6	0.47 / 1.8	0.69 / 2.6	0.79 / 3.0	0.79 / 3.0
Operating Pressure	Min. 30 psi, Max. 150 psi								
Dimensions	HEIGHT 14 3/16" / 360 mm x WIDTH 7 1/8" / 200 mm x DEPTH 4 1/8" / 110 mm								
Cover Material and Color	White ABS								

Dimensions



› DHC models are suitable for cold water input only



Intertek

Certified to ANSI/UL Std. 499
Conforms to CAN/CSA E335-1 & E335-2-35

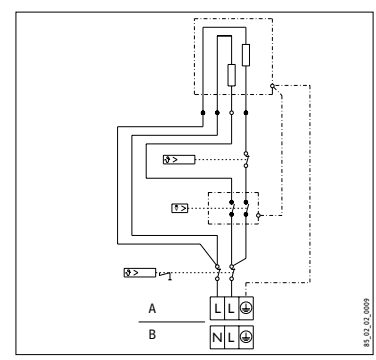
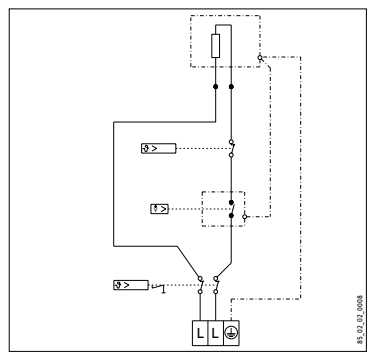
ISO 9001 CERTIFIED



Tested and certified by WQA against NSF/ANSI 372 for lead free compliance.

9.1 Wiring diagram

DHC 3-2, DHC 4-2, DHC 5-2	A	2/GRD - 208 / 240V
DHC 4-3	A	2/GRD - 277V
DHC 6-2, DHC 8-2, DHC 10-2	A	2/GRD - 208 / 240V
DHC 9-3	A	2/GRD - 277V
DHC 3-1	B	1/N/GRD - 120V



Specification

The tankless electric water heater shall be equipped with a copper sheathed heating element housed in a copper cylinder. The flow switch that operates the heating element shall be of the mechanical pressure differential type. The unit shall be equipped with a safety high-limit switch with manual reset that triggers at 185°F. An integral tamper-proof flow adjustment screw shall be provided for the installer so that water flow rates can easily be adjusted. The water connections shall be designed for standard 1/2" NPT female adapter. The housing of the unit shall be made of high impact polycarbonate plastic. The unit shall conform to ANSI ANSI/UL Std. 499 and be certified to CAN/CSA E335-1 & E335-2-35

Engineer/Architect _____	Date _____		
Job Name/Customer _____	Location _____		
Contractor _____	Representative _____		
Qty	kW	Voltage	Amps
DHC model _____			

rev. 2015.8 Due to our continuous process of engineering and technological advancement, specifications may change without notice.