

CK Trend Surface-Mounted Electric Fan Heaters

Description

Stiebel Eltron CK Trend wall-mounted electric heaters are designed for installation where quick heat is needed, such as bathrooms, kitchens, bedrooms, hallways, playrooms and garages in new construction and renovation projects. They have an ultra-quiet fan and will replace existing recess-mount heaters. A built-in thermostat has a frost protection setting.



Specifications

Model	CK 150-1 Trend	CK 200-2 Trend	
Item number	236304	236305	
Voltage	120 V	240 V or 208 V	
Wattage	1500 W	2000 W	1800 W
Amperage	12.5 A	8.3 A	8.7 A
Rated output Btu/hr	5118	6824	6142
Air volume	70.6 CFM	70.6 CFM	
Recommended circuit breaker size ¹	15 A	15 A	
Minimum wire size (copper)	14 AWG	14 AWG	
Electrical connection	Junction box, rear	Junction box, rear	
Timer	N/A	N/A	
Room size estimate	150 sq.ft.	200 sq.ft.	
Heating element	ceramic positive temperature coefficient (PTC)		
Thermostat & high limit	bimetal type		
Motor	20 W shaded pole		
Blower	glass-reinforced polycarbonate, radial type		
Dimensions	H 15 ³ / ₄ " (400 mm) x W 10 ⁷ / ₈ " (275 mm) x D 5 ¹ / ₈ " (131 mm)		
Weight	5.5 lb (2.5 kg)		
Temperature range	45–95 °F (7–35 °C)		
Frost protection setting	45 °F (7 °C)		
Operating noise	49.0 dB(a)		

¹ This is our recommendation as the manufacturer. Check local codes for compliance if necessary.

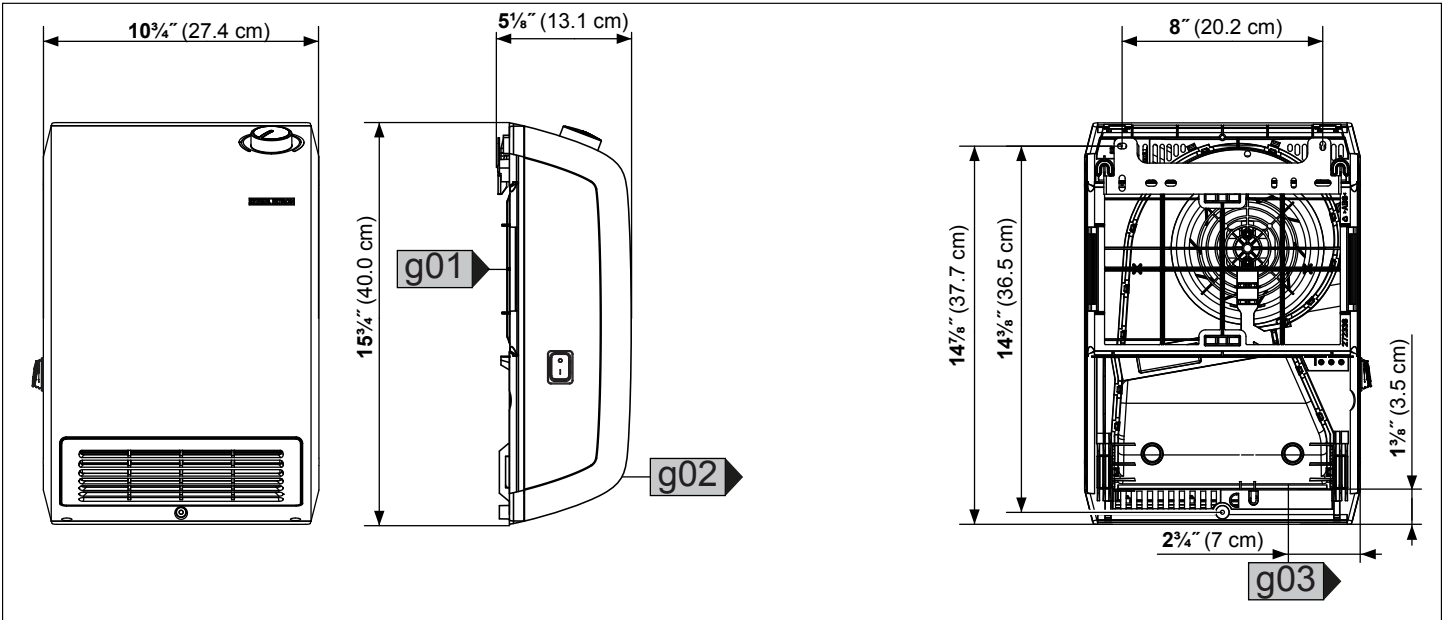


Intertek

Conforms to UL Std. 2021
Certified to CAN/CSA
Std. 22.2 No. 46

ISO 9001
CERTIFIED

Dimensions & clearances

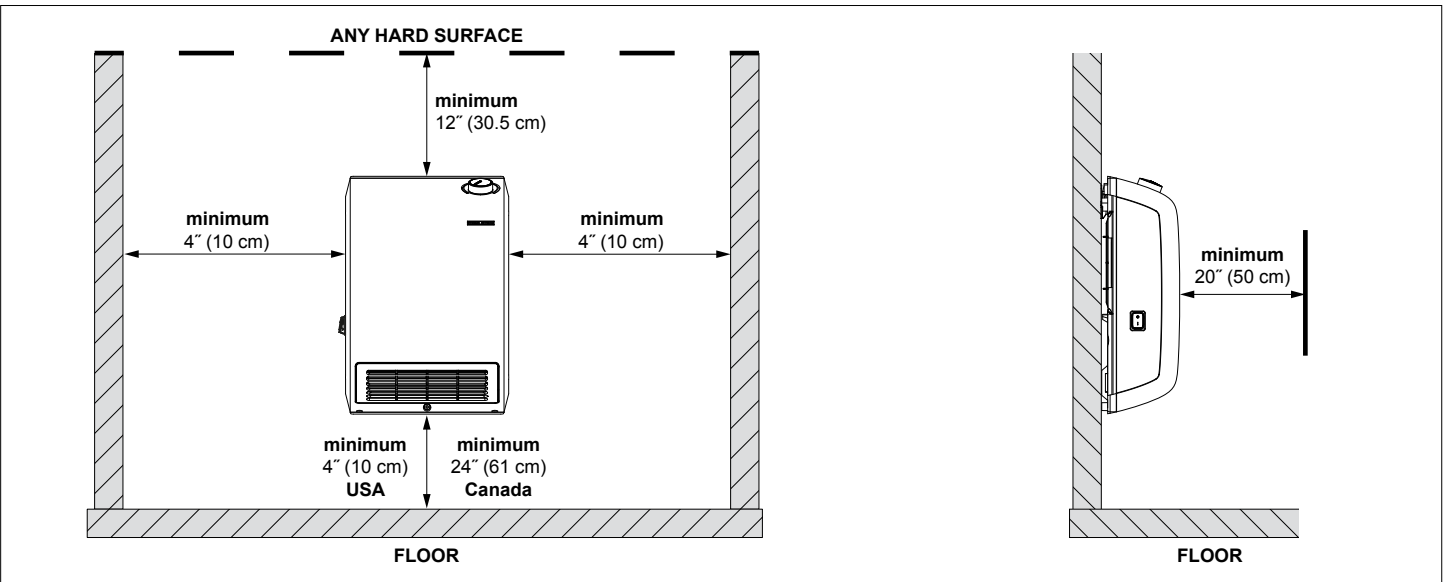


CK 150-1 Trend / CK 200-2 Trend

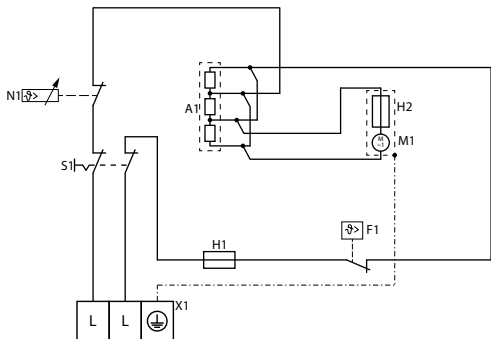
g01 Air intake

g02 Air discharge

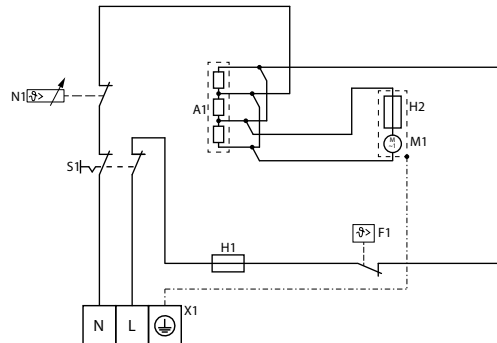
g03 Strain relief clamp / cable entry



Wiring diagram CK 200-2 Trend | 240 Vac



Wiring diagram CK 150-1 Trend | 120 Vac



- A1 Heating element assembly
- F1 High temperature limiter
- H1 Fusible link
- H2 Fusible link
- M1 Fan motor
- N1 Thermostat
- S1 On/off switch
- X1 Terminal block

Specification

Contractor shall supply and install Stiebel Eltron CK Trend electric fan heater(s) of the wattage and voltage specified on the plan. Heater(s) shall be surface-mounted fan type, with an operating noise of 49 dB(a). Heater(s) shall have a body in Alpine White color. Heater(s) shall have a selectable temperature range of 45 °F to 95 °F (7 °C to 35 °C), and a frost protection setting which switches on the heating element automatically if the room temperature drops below the frost protection temperature of 45 °F (7 °C). Heater(s) shall be mounted with a minimum clearance from the finished floor of at least 4" (6-8" recommended) or 24" for installations in Canada, a minimum clearance from the left and right sides of the heater of at least 4", a minimum clearance from the top of the heater of at least 12", and a minimum clearance to the back of the heater of at least 1". Heater(s) shall be ETL listed to conform to ANSI/UL Std. 2021 and certified to CAN/CSA C22.2 No. 46.

Engineer/Architect _____	Date _____				
Job Name/Customer _____	Location _____				
Contractor _____	Representative _____				
		Qty	W	Voltage	Amps
CK model _____	_____	_____	_____	_____	_____