

CK & CKT 15 E Surface-Mounted Electric Fan Heaters**Description**

Stiebel Eltron CK wall-mounted electric heaters are designed for installation where quick heat is needed, such as bathrooms, kitchens, bedrooms, hallways, playrooms and garages in new construction and renovation projects. They have an ultra-quiet fan and will replace existing recess-mount heaters. A built-in thermostat has a frost protection setting. CK heaters will work with wall thermostats in rooms larger than 215 sq. ft. (20 sq. m.) The CKT adds a 60 minute timer designed to temporarily output maximum heat to quickly warm a space. When the timer goes off the unit reverts to the thermostat setting to maintain comfort.

**Specifications**

Model	Item number	CK 15 E	074058
		CKT 15 E	230345
Phase		single	
Voltage		120 V	
Wattage		1500 W	
Amperage		12.5 A	
Rated output		5122 Btu/hr	
Air volume		106 cfm	
Recommended circuit breaker size		15 A	
Minimum wire size		14 AWG	
Heating element		nichrome wire	
Thermostat		bimetal type	
High limit		bimetal type	
Motor		18 W shaded pole	
Blower		galvanized steel, squirrel cage type	
Dimensions		HEIGHT 18" (460 mm) x WIDTH 13 ¹ / ₄ " (335 mm) x DEPTH 4 ⁷ / ₈ " (123 mm)	
Weight		8.0 lb (4.4 kg)	
Housing		stove enameled sheet steel / plastic	
Color		Alpine White with black grill	
Temperature range		45 – 86 °F (7 – 30 °C)	
Frost protection setting		45 °F (7 °C)	
Operating noise		49.7 dB(a)	

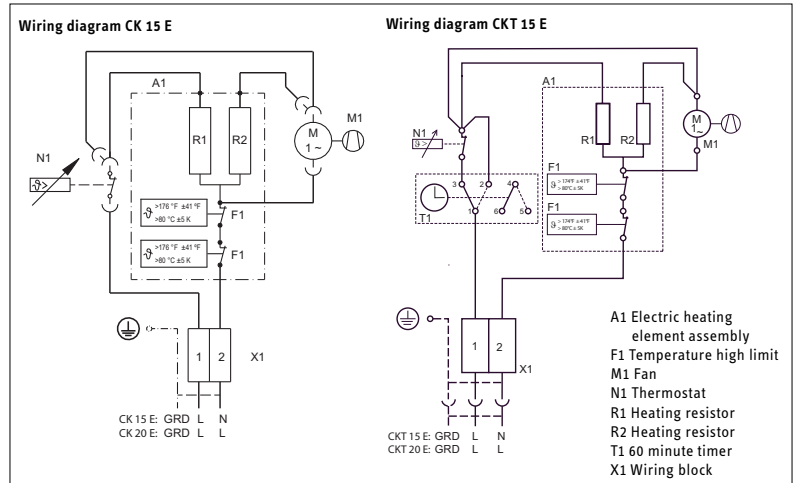
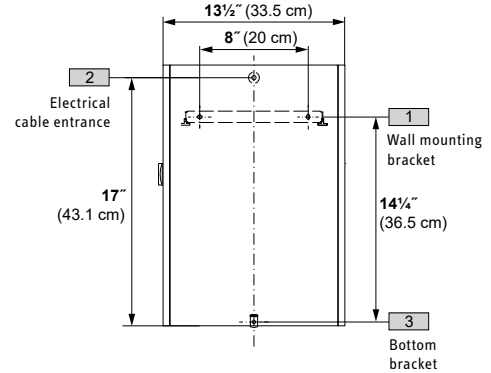
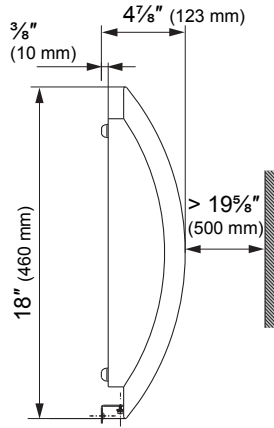
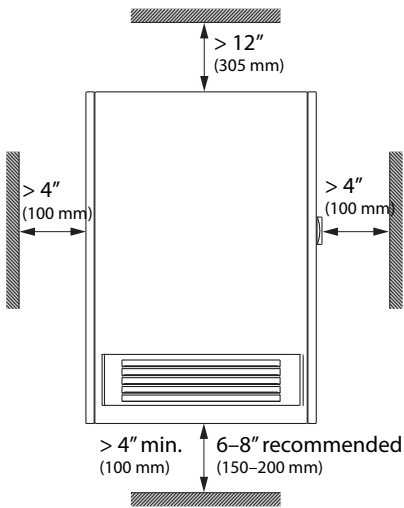


Intertek

Certified to ANSI/UL
Std. 2021
Conforms to CAN/CSA
Std. 22.2 No. 46

ISO 9001
CERTIFIED

Dimensions



Specification

Contractor shall supply and install Stiebel Eltron CK electric fan heater(s) of the wattage and voltage specified on the plan. Heater(s) shall be surface-mounted fan type, with an operating noise of 49.7 dB(a). Heater(s) shall have a body constructed of stove enameled sheet steel in Alpine White color. Heater(s) shall have a selectable temperature range of 41 °F to 86 °F (5 °C to 30 °C), and a frost protection setting which switches on the heating element automatically if the room temperature drops below the frost protection temperature of 45 °F (7 °C). Heater(s) shall be capable of control with either built-in thermostat or wired to an existing wall thermostat. Heater(s) shall be mounted with a minimum clearance from the finished floor of at least 4" (6-8" recommended), a minimum clearance from the left and right sides of the heater of at least 4", a minimum clearance from the top of the heater of at least 12", and a minimum clearance to the back of the heater of at least 1". Heater(s) shall have an electrical cable entrance on the right side. Heater(s) shall be ETL listed to conform to ANSI/UL Std. 2021 and certified to CAN/CSA C22.2 No. 46.

Engineer/Architect _____	Date _____		
Job Name/Customer _____	Location _____		
Contractor _____	Representative _____		
Qty	W	Voltage	Amps
CK model _____	_____	_____	_____