

STIEBEL ELTRON

CERO Plus Series: 81 kW, 90 kW, 108 kW | Standard Indoor Enclosure, NEMA 4/4X
Engineering Specification Sheet

Specifications

Model	CERO Plus 81 kW, CERO Plus 90 kW, CERO Plus 108 kW
Phase	3-phase
Inlet/outlet pipe connection	1" female NPT
Heat exchanger material	316L stainless steel
Enclosure rating	Standard indoor shown, NEMA 4/4X available
Operating pressure range	4-150 psi (0.27-10.3 bar)
Maximum temperature output	180 °F (82 °C)
Temperature adjustment range	60-180 °F (16-85 °C)
Temperature adjustment increment	1 °F (1 °C)
Number of heating elements	18
Minimum activation flow	2.7 gpm (10.2 l/m)
Maximum flow at 60 psi	40 gpm (151.4 l/m)



Model	Part Number	Voltage	Phase	kW	Amps	3P Breaker Size (A)	Temperature Rise °F				
							5 gpm	10 gpm	15 gpm	20 gpm	40 gpm
CERO Plus 81 kW	CEROPLUS-81-480	480	3-phase delta	81.07	97.52	110	>100	55	37	28	14
CERO Plus 90 kW	CEROPLUS-090-480	480	3-phase delta	90.00	108.25	125	>100	62	31	21	15
CERO Plus 108 kW	CEROPLUS-108-480	480	3-phase delta	108.00	129.90	150	>100	74	49	37	18
	CEROPLUS-108-575	575	3-phase delta	108.00	108.44	125	>100	74	49	37	18



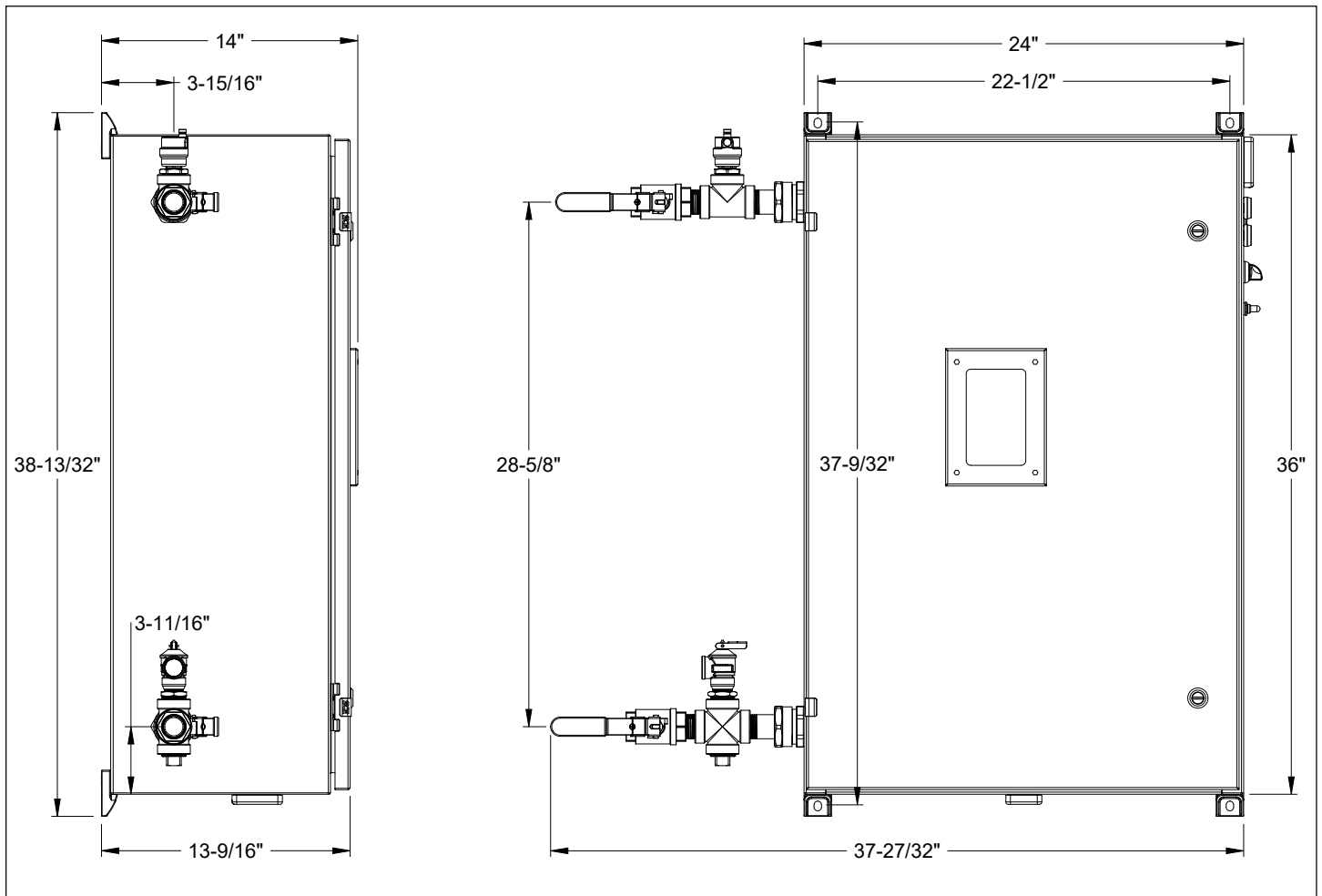
Certified to ANSI/UL Std. 499
Conforms to CAN/CSA
Std. C22.2 No.88



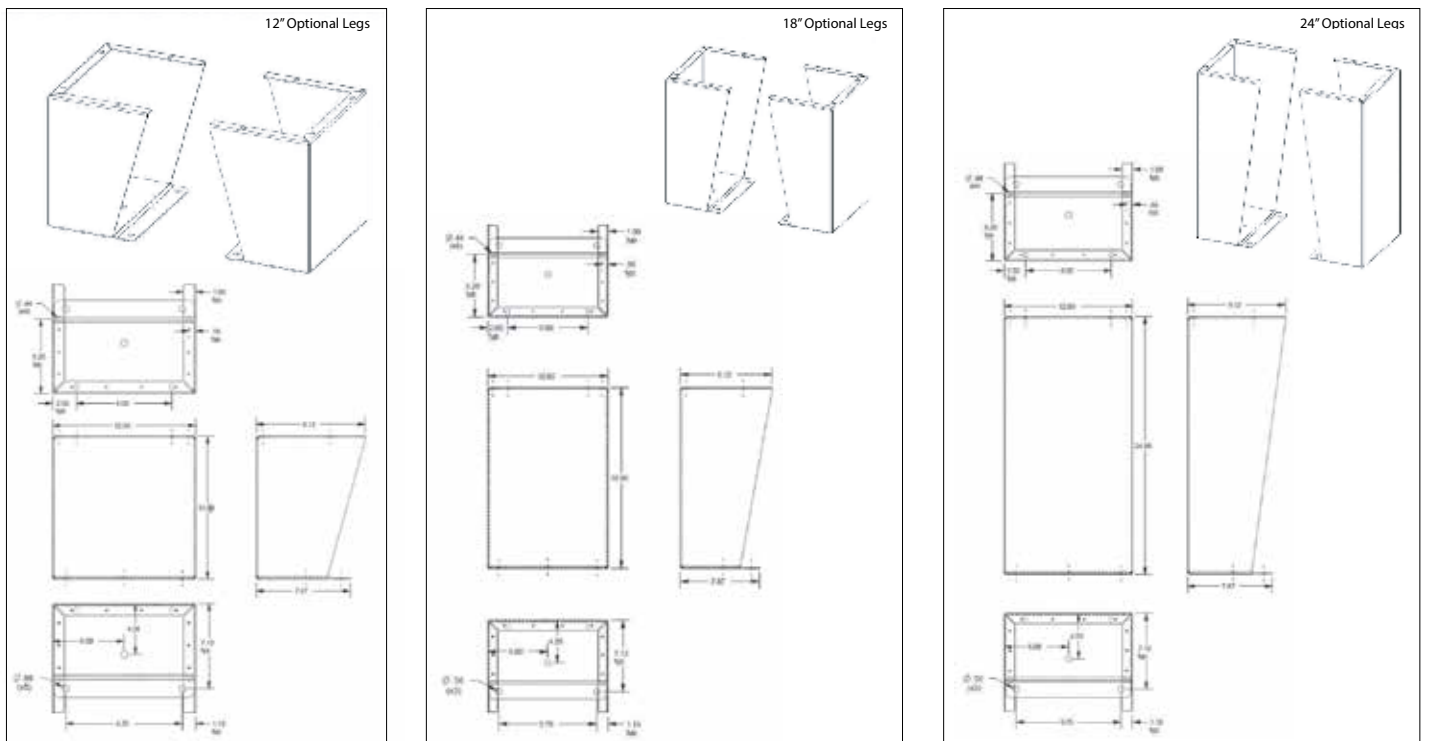
6 years against leakage /
2 years against defects in
workmanship & materials

rev. 6.2026 Due to our continuous process of engineering and technological advancement, specifications may change without notice.

Dimensions

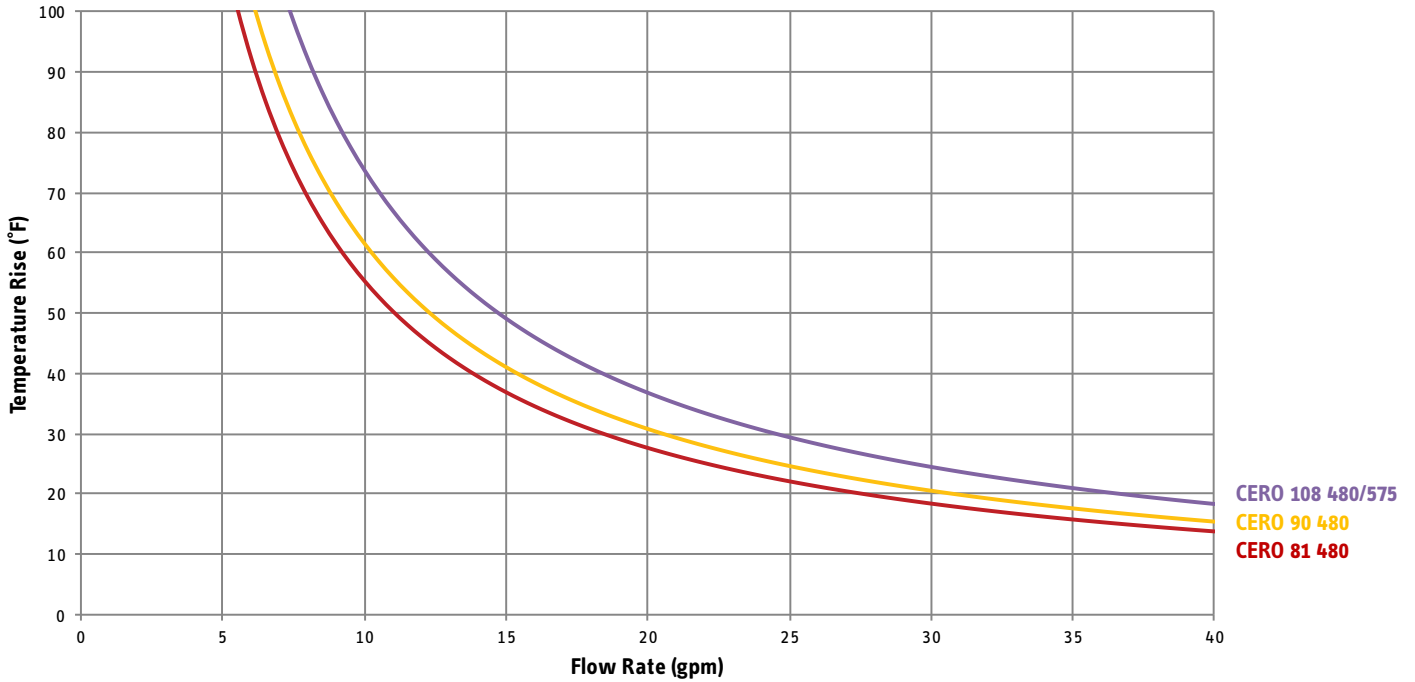


Dimensions for optional legs for NEMA 4 & 4X enclosures



rev. 6.2026 Due to our continuous process of engineering and technological advancement, specifications may change without notice.

Temperature Rise vs. Flow Rate



Pressure Drop vs. Flow Rate

