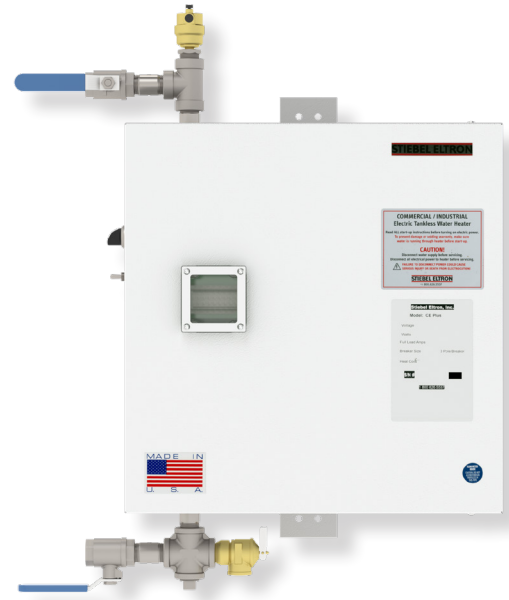


CERO Plus Series: 12 kW, 15 kW, 18 kW | NEMA 3

Specifications

Model	CERO Plus 12, kW CERO Plus 15 kW, CERO Plus 18 kW
Phase	3-phase
Inlet/outlet pipe connection	3/4" female NPT
Heat exchanger material	316L stainless steel
Enclosure rating	NEMA 3 shown, NEMA 4/4X available
Operating pressure range	4-145 psi (0.28-10 bar)
Maximum temperature output	180 °F (82 °C)
Temperature adjustment range	60-180 °F (16-82 °C)
Temperature adjustment increment	1 °F (1 °C)
Number of heating elements*	3
Minimum activation flow	0.75 gpm (2.8 l/m)
Maximum flow at 60 psi	10.6 gpm (40 l/m)

*CEROPLUS-018-480D is a 6-element Delta heater. The enclosure is larger than other 18 kW heaters. See dimensions on pg. 3.



Model	Part Number	Voltage	Phase	kW	Amps	3P Breaker Size (A)	Temperature Rise °F				
							1 gpm	2 gpm	3 gpm	4 gpm	5 gpm
CERO Plus 12 kW	CEROPLUS-012-208	208	3-phase delta	10.15	28.17	35	69	35	23	17	14
	CEROPLUS-012-240	240	3-phase delta	12.50	30.07	35	86	43	29	21	17
	CEROPLUS-012-480Y	480	3-phase wye	11.10	13.35	15	76	38	25	19	15
CERO Plus 15 kW	CEROPLUS-015-208	208	3-phase delta	13.52	37.53	45	92	46	31	23	18
	CEROPLUS-015-240	240	3-phase delta	13.51	32.51	40	92	46	31	23	18
	CEROPLUS-015-480Y	480	3-phase wye	16.65	20.03	25	>100	57	38	28	23
CERO Plus 18 kW	CEROPLUS-018-208	208	3-phase delta	18.00	49.96	60	>100	62	42	31	25
	CEROPLUS-018-240	240	3-phase delta	18.00	43.30	50	>100	62	42	31	25
	CEROPLUS-018-480Y	480	3-phase wye	16.66	20.04	25	>100	57	38	28	23
	CEROPLUS-018-480D	480	3-phase delta	18.00	21.65	25	>100	61	41	31	25



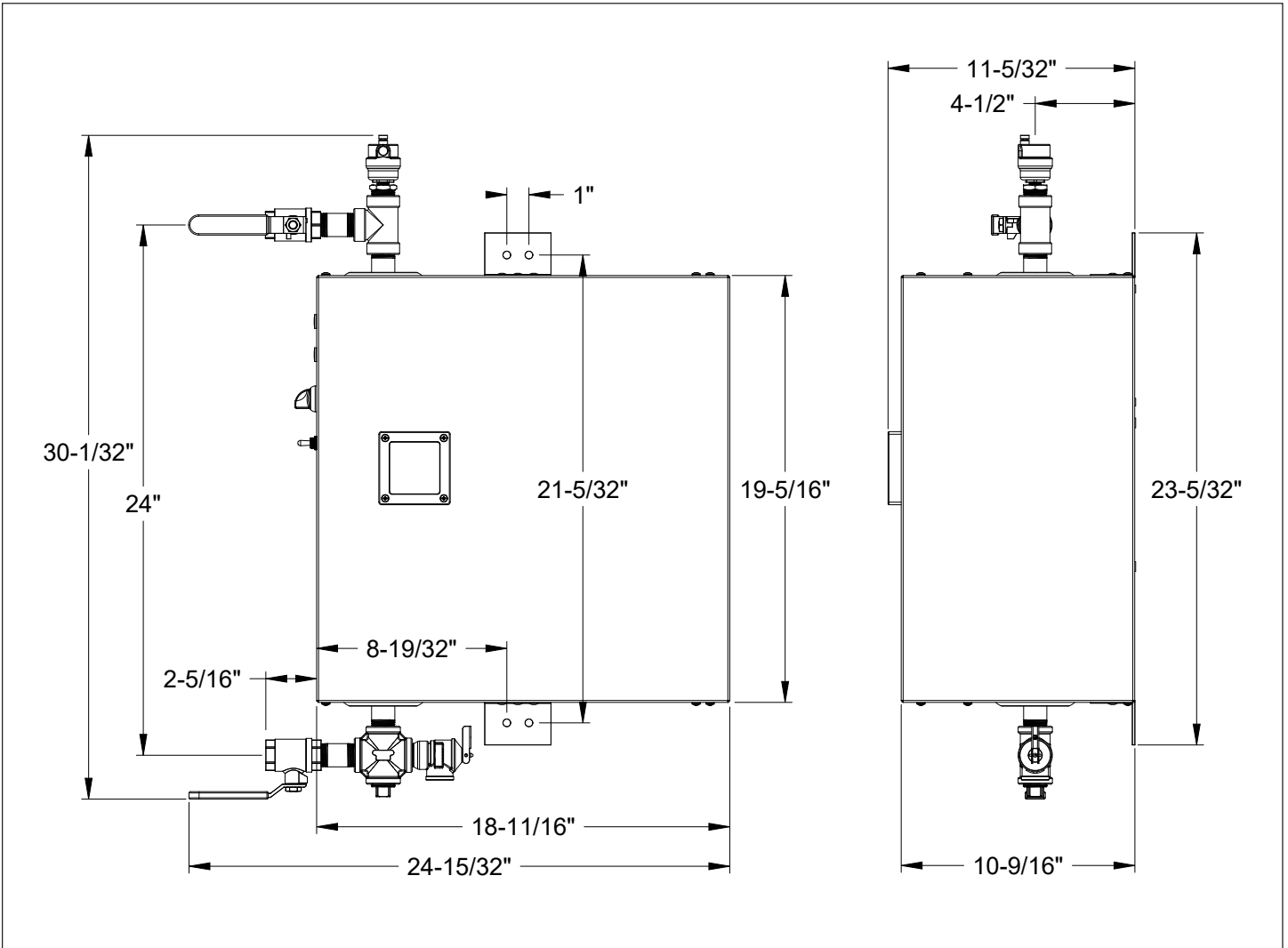
Certified to ANSI/UL Std. 499
Conforms to CAN/CSA
Std. C22.2 No.88



6 years against leakage /
2 years against defects in
workmanship & materials

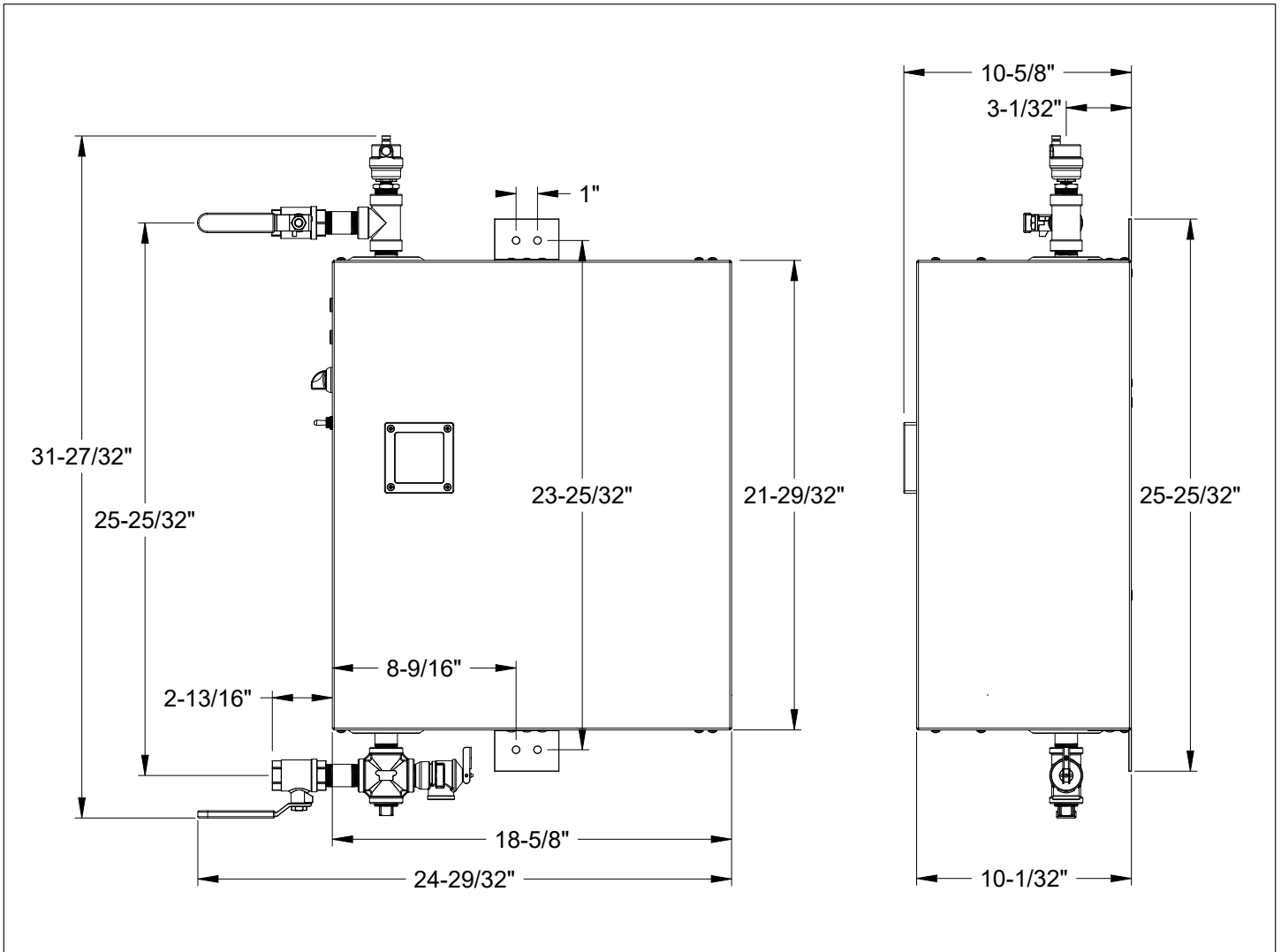
rev. 10.2023 Due to our continuous process of engineering and technological advancement, specifications may change without notice.

Dimensions - all models except CER0PLUS-018-480D



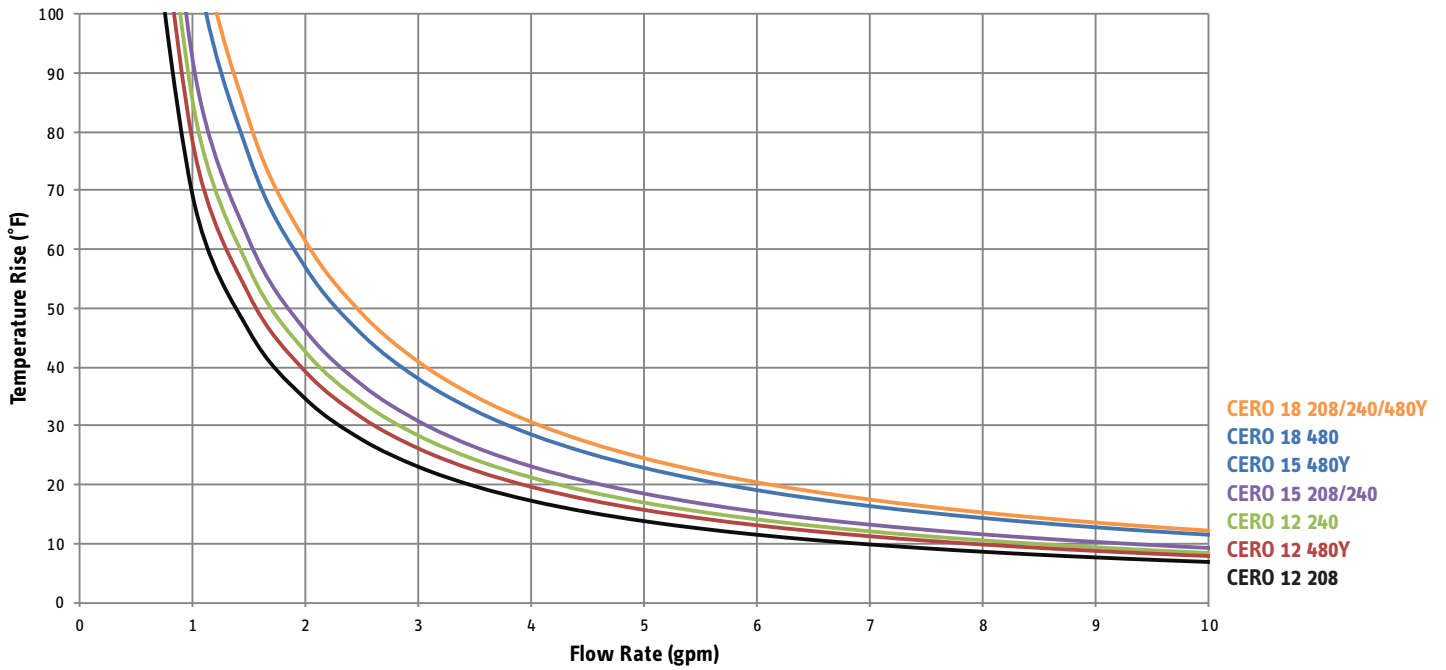
rev. 10.2023 Due to our continuous process of engineering and technological advancement, specifications may change without notice.

CEPLUS-018-480D dimensions

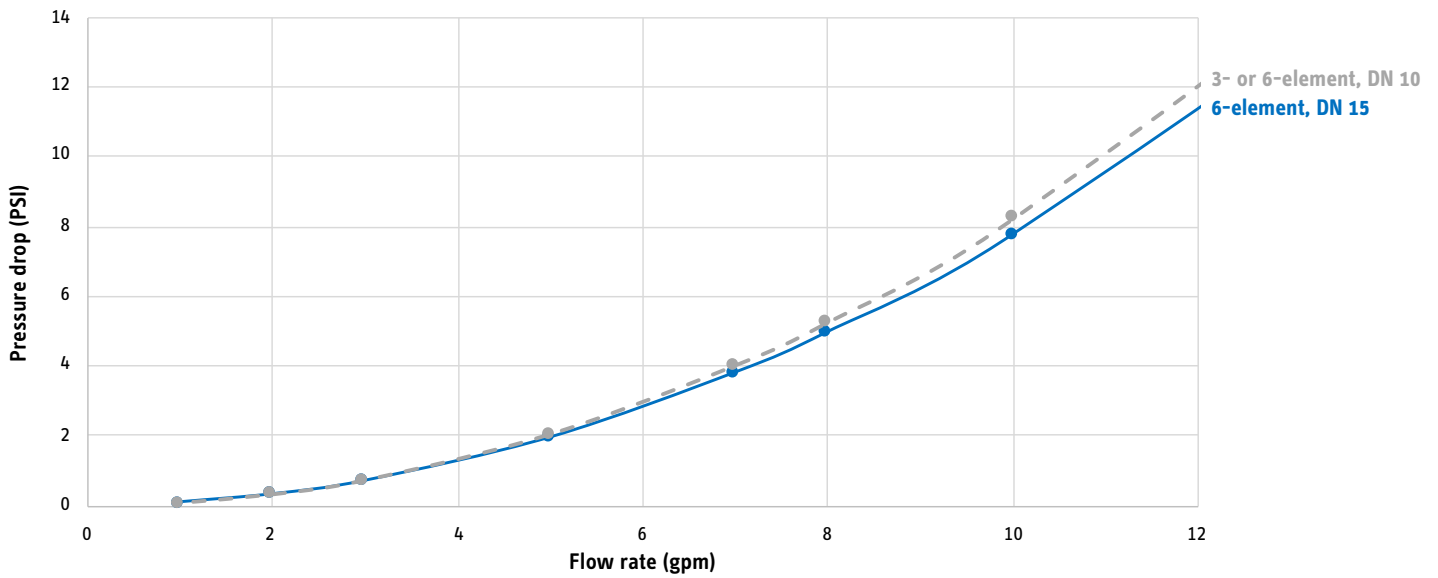


rev. 10.2023 Due to our continuous process of engineering and technological advancement, specifications may change without notice.

Temperature Rise vs. Flow Rate



Pressure Drop vs. Flow Rate



rev. 10.2023 Due to our continuous process of engineering and technological advancement, specifications may change without notice.