

STIEBEL ELTRON

CERO Plus Series: 12 kW, 15 kW, 18 kW | Standard Indoor Enclosure Engineering Specification Sheet

Specifications

| | |
|---|---|
| Model | CERO Plus 12, kW CERO Plus 15 kW, CERO Plus 18 kW |
| Phase | 3-phase |
| Inlet/outlet pipe connection | 3/4" female NPT |
| Heat exchanger material | 316L stainless steel |
| Enclosure rating | Standard indoor shown, NEMA 4/4X available |
| Operating pressure range | 4-145 psi (0.28-10 bar) |
| Maximum temperature output | 180 °F (82 °C) |
| Temperature adjustment range | 60-180 °F (16-82 °C) |
| Temperature adjustment increment | 1 °F (1 °C) |
| Number of heating elements* | 3 |
| Minimum activation flow | 0.7 gpm (2.7 l/m) |
| Maximum flow at 60 psi | 10.6 gpm (40 l/m) |



*CEROPLUS-018-480D is a 6-element Delta heater. The enclosure is larger than other 18 kW heaters. See dimensions on pg. 3.

| Model | Part Number | Voltage | Phase | kW | Amps | 3P Breaker Size (A) | Temperature Rise °F | | | | |
|--------------------|-------------------|---------|---------------|-------|-------|---------------------|---------------------|-------|-------|-------|-------|
| | | | | | | | 1 gpm | 2 gpm | 3 gpm | 4 gpm | 5 gpm |
| CERO Plus 12 kW | CEROPLUS-012-208 | 208 | 3-phase delta | 10.15 | 28.17 | 35 | 69 | 35 | 23 | 17 | 14 |
| | CEROPLUS-012-240 | 240 | 3-phase delta | 12.50 | 30.07 | 35 | 86 | 43 | 29 | 21 | 17 |
| | CEROPLUS-012-480Y | 480 | 3-phase wye | 11.10 | 13.35 | 15 | 76 | 38 | 25 | 19 | 15 |
| CERO Plus 15 kW | CEROPLUS-015-208 | 208 | 3-phase delta | 13.52 | 37.53 | 45 | 92 | 46 | 31 | 23 | 18 |
| | CEROPLUS-015-240 | 240 | 3-phase delta | 13.51 | 32.51 | 40 | 92 | 46 | 31 | 23 | 18 |
| | CEROPLUS-015-480Y | 480 | 3-phase wye | 16.65 | 20.03 | 25 | >100 | 57 | 38 | 28 | 23 |
| CERO Plus 18 kW | CEROPLUS-018-208 | 208 | 3-phase delta | 18.00 | 49.96 | 60 | >100 | 62 | 42 | 31 | 25 |
| | CEROPLUS-018-240 | 240 | 3-phase delta | 18.00 | 43.30 | 50 | >100 | 62 | 42 | 31 | 25 |
| | CEROPLUS-018-480Y | 480 | 3-phase wye | 16.66 | 20.04 | 25 | >100 | 57 | 38 | 28 | 23 |
| | CEROPLUS-018-480D | 480 | 3-phase delta | 18.00 | 21.65 | 25 | >100 | 61 | 41 | 31 | 25 |



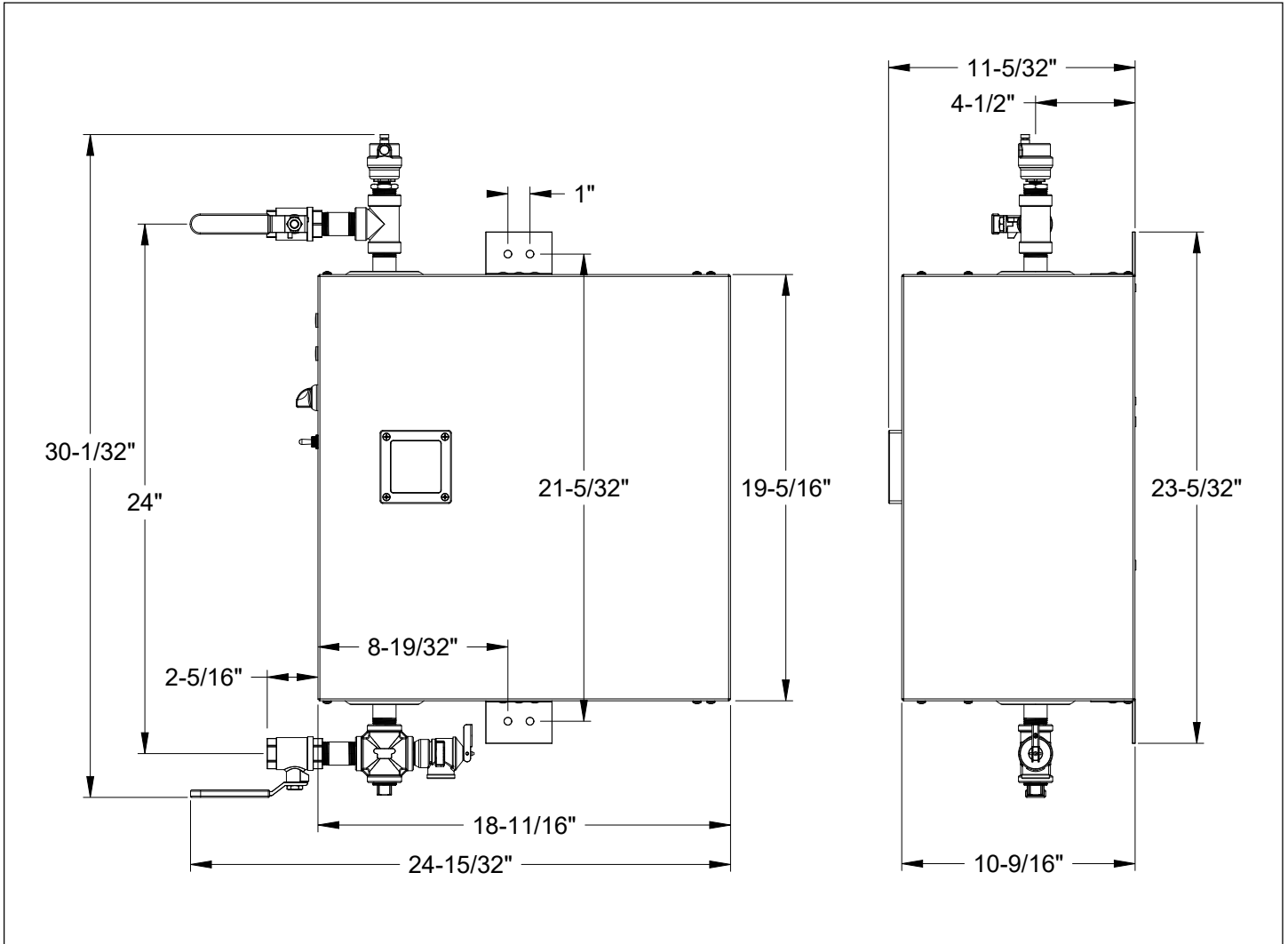
Certified to ANSI/UL Std. 499
Conforms to CAN/CSA
Std. C22.2 No.88



6 years against leakage /
2 years against defects in
workmanship & materials

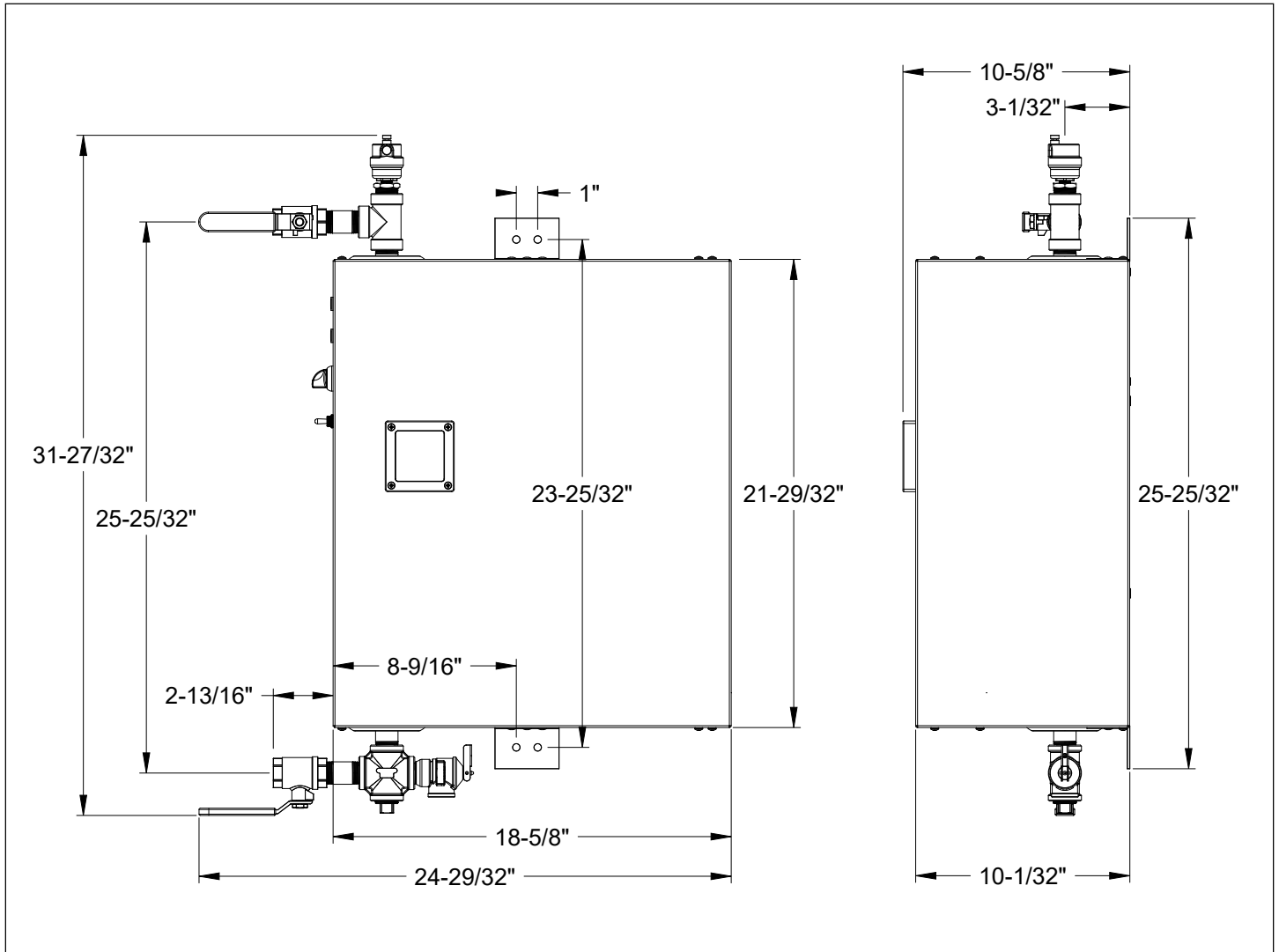
rev. 6.2026 Due to our continuous process of engineering and technological advancement, specifications may change without notice.

Dimensions - all models except CER0PLUS-018-480D

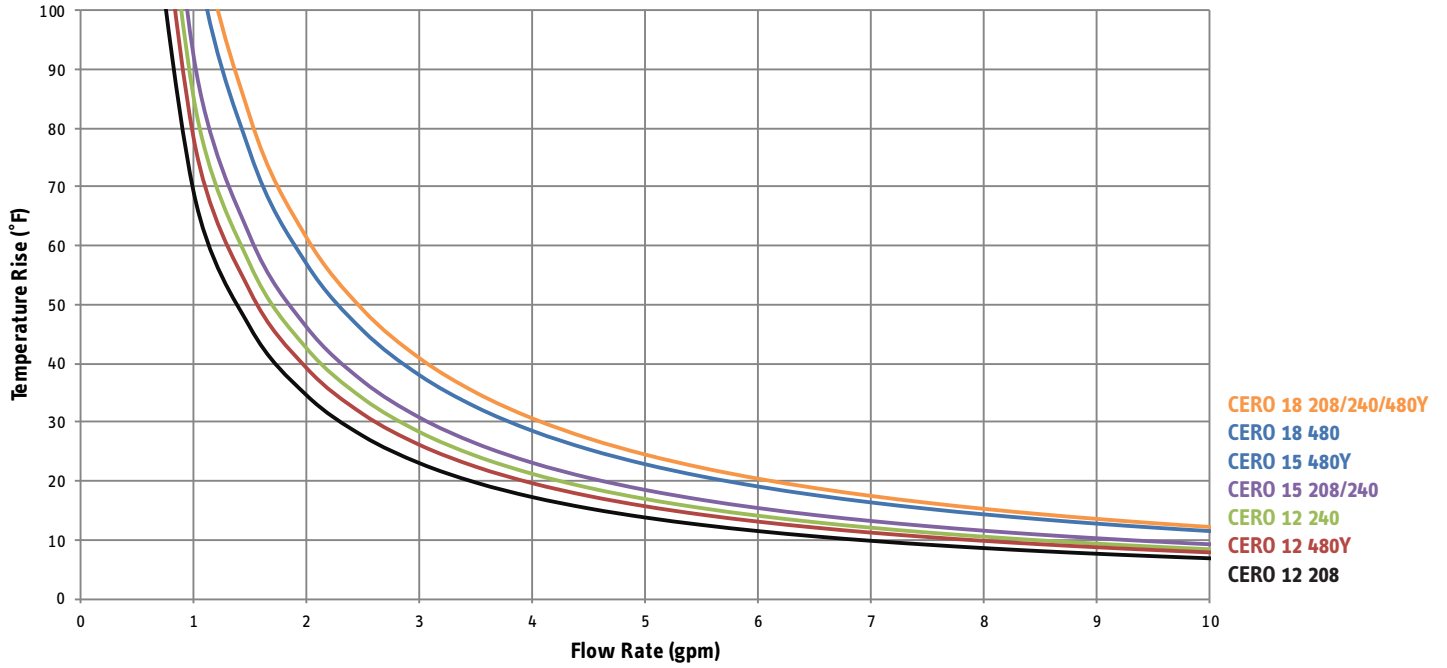


rev. 6.2026 Due to our continuous process of engineering and technological advancement, specifications may change without notice.

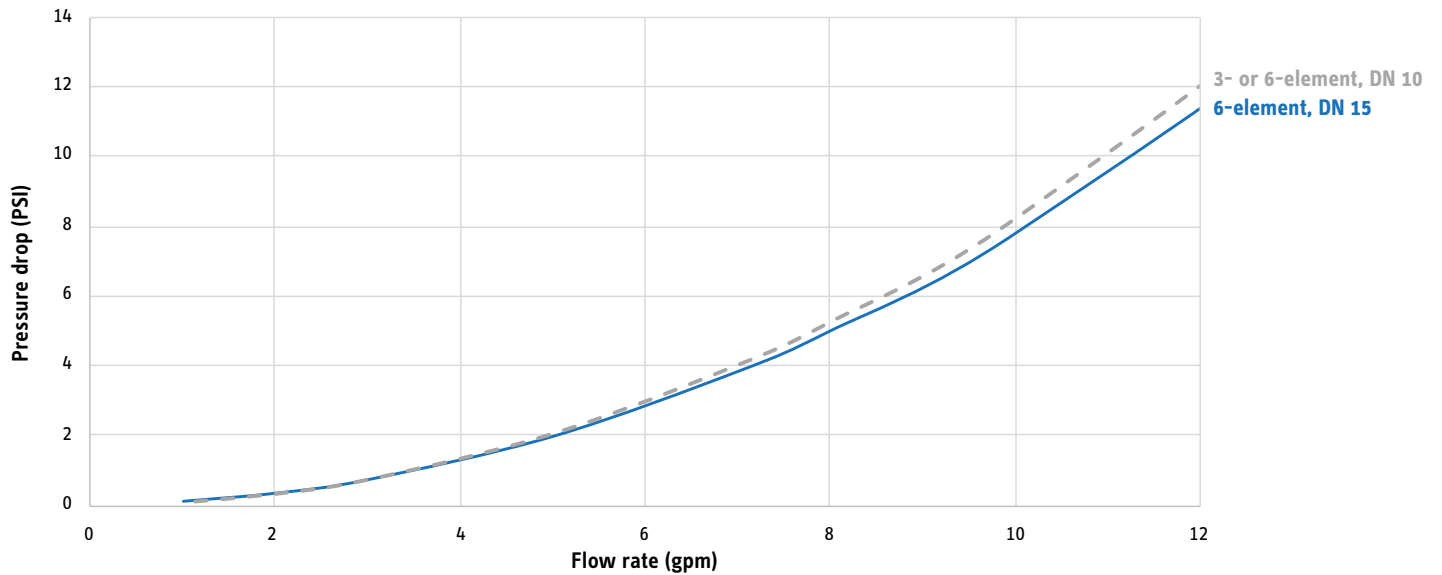
CEPLUS-018-480D dimensions



Temperature Rise vs. Flow Rate



Pressure Drop vs. Flow Rate



rev. 6.2026 Due to our continuous process of engineering and technological advancement, specifications may change without notice.